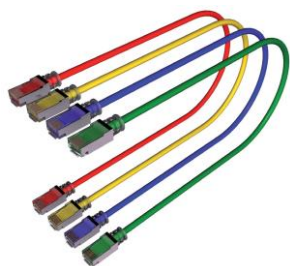


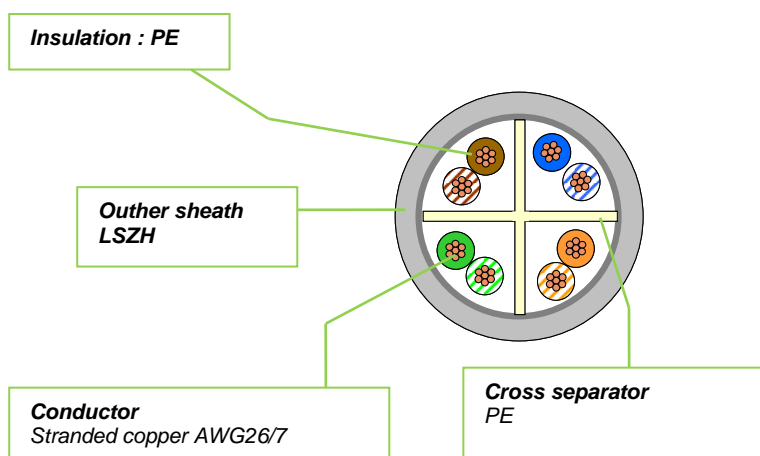
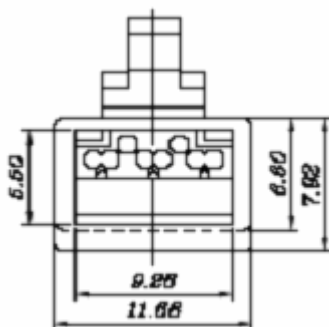
## REF: VG504xyMSH

Patch cord 4 pairs RJ45 U/UTP – Category 6 10G – 500MHz LSZH



### Descriptions

- Patch cord with moulded boots U/UTP – 4 pairs – Category 6 – 500 MHz
- Exceed CAT6 standard specifications : 100% component category 6
- Each patch cord is delivery in individual polybag.
- The patch cords are available in 5 colours ( Grey – Blue – Yellow – Red – Green ), and 5 lengths ( 1m – 2m – 3m – 5m – 10m )
- Colour code : TIA/EIA 568 B
- Plug : UTP : RJ45 8P 8C for round cable – contact : 15 µinch gold.
- The conductors are shifted on 2 levels to ensure a better cross talk (NEXT).



## REF: VG504xyMSH

Patch cord 4 pairs RJ45 U/UTP – Category 6 10G – 500MHz LSZH

### Standard & performances

The performances of cable correspond to the limits defined by the standards followings:

<b>PATCH CORD</b>
EIA/TIA 568-C.2
<b>SYSTEM</b>
DRAFT ISO/IEC – TR24750 Channel : 10G over CLASS E
EIA/TIA Draft 3.0 – TSB 155: legacy category 6 cabling from 250MHz up to 500MHz Channel : 10G over CAT6

### Characteristics

Fire behavior	IEC 60332-1 / NF C 32070 C2
Temperature range	-20°C to +70°C
Minimum bending radius	8 x outer diameter of the cable
Conformity to RoHS directive	

### Ordering information

Item No	Designation	Length	Packaging
<b>VG504xMSH</b>	Grey patch cord U/UTP Cat6 10G	x = 1/2/3/5/10 m	Unit in polybag
<b>VG504xBMSH</b>	Blue patch cord U/UTP Cat6 10G	x = 1/2/3/5/10 m	Unit in polybag
<b>VG504xJMSH</b>	Yellow patch cord U/UTP Cat6 10G	x = 1/2/3/5/10 m	Unit in polybag
<b>VG504xRMSH</b>	Red patch cord U/UTP Cat6 10G	x = 1/2/3/5/10 m	Unit in polybag
<b>VG504xVMSH</b>	Green patch cord U/UTP Cat6 10G	x = 1/2/3/5/10 m	Unit in polybag