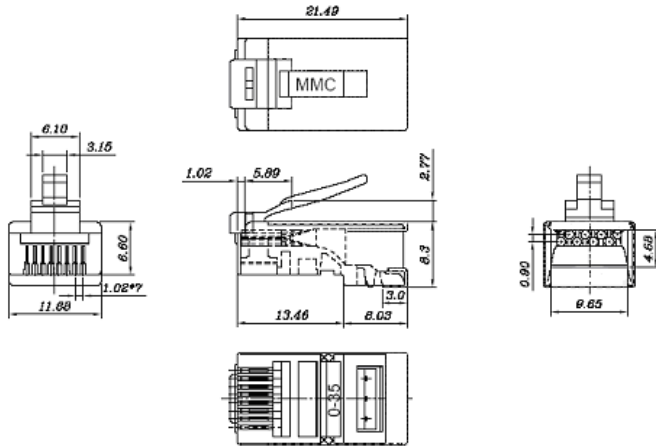


## REF: MMCRJ45UC6SI

Unshielded CAT6 RJ45 plug with integrated insert unscotched contacts for stranded cable



## Descriptions

- Unshielded RJ45 plug for round stranded cable category 6 : **AWG 24 & AWG 26**
- Equipped with 2 prongs
- Conductors split on 2 levels in order to ensure a better crosstalk (NEXT)
- To make the connections easier, the insert is integrated into the plug which allows to gain 50% for the carrying out
- 8 positions – 8 contacts
- Half-round entry
- Materials : polycarbonate (UL94V-0 or UL94V-2) - contact in bronze with gold plating
- Conditioning : by plastic box with 100 pieces

## Performances

Applications UL	250V AC @ 2A
Insulation resistance	100MΩ

## Related product

Part number	Designation	Packaging
MRJSRx	Boots for RJ45 – diameter < 6mm	100
MRJTSx	Boots for RJ45 slim type – diameter < 6mm	100
MMCP86MET	Crimp tool for 6/8 contacts modular plug	Unit

## Ordering information

Part number	Designation	Packaging
<b>MMCRJ45UC6SI</b>	Shielded RJ45 8P 8C CAT6 plug with integrated insert for stranded cable	100 – plastic box