

REF: MMCRJ45SC6SI

Shielded RJ45 CAT6 plug with integrated insert unscotched contacts for stranded or solid cable



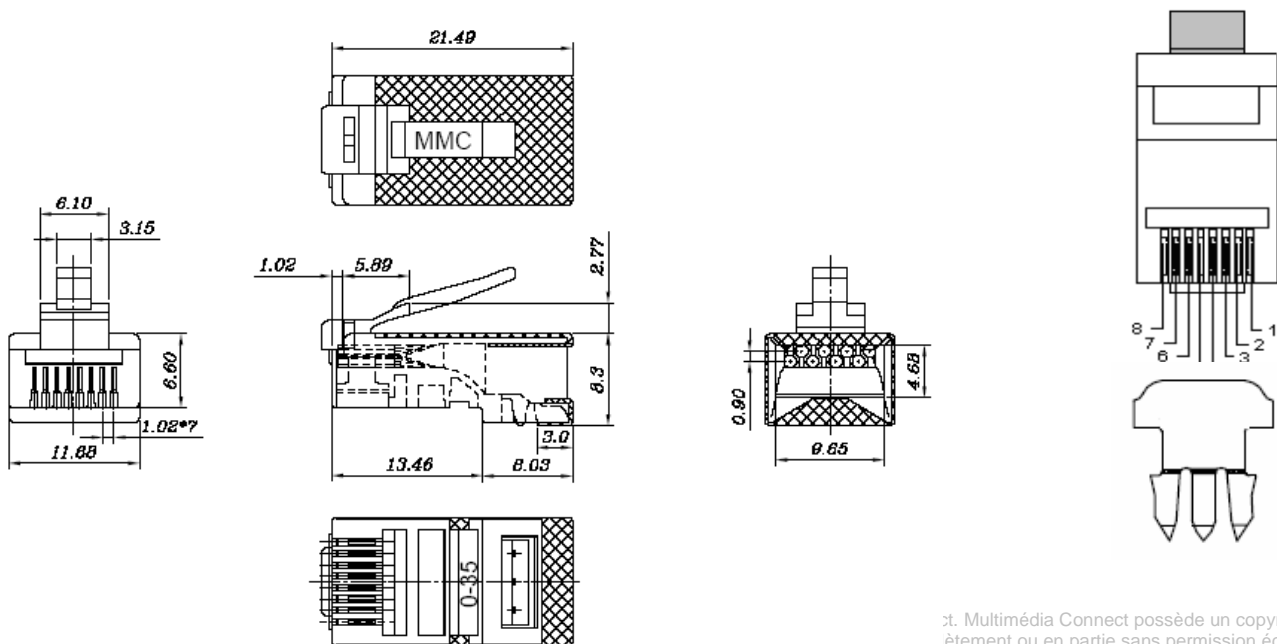
Descriptions

- Shielded RJ45 plug for shielded round stranded or solid cable category 6 : **AWG 24 & AWG 26**
- Equipped with 3 prongs
- Conductors split on 2 levels in order to ensure a better crosstalk (NEXT)
- To make the connections easier, the insert is integrated into the plug which allows to gain 50% for the carrying out
- 8 positions – 8 contacts
- Half-round entry
- Materials : polycarbonate (UL94V-0 or UL94V-2) - contact in bronze with gold plating
- Conditioning : by plastic box with 100 pieces

Performances

| | |
|-----------------------|--------------|
| Applications UL | 250V AC / 2A |
| Insulation resistance | 100MΩ |

3D picture



REF: MMCRJ45SC6SI

Shielded RJ45 CAT6 plug with integrated insert unscotched contacts for stranded or solid cable

Related product

| Ref | Designation | Conditioning |
|-----------|---|--------------|
| MRJSRx | Boots for RJ45 – diameter < 6mm | 100 |
| MRJTSx | Boots for RJ45 slim type – diameter < 6mm | 100 |
| MMCP86MET | Crimp tool for 6/8 contacts modular plug | Unit |

Ordering information

| Ref | Designation | Conditioning |
|--------------|--|--------------|
| MMCRJ45SC6SI | Shielded RJ45 8P 8C CAT6 plug with integrated insert for stranded or solid cable | 100 |