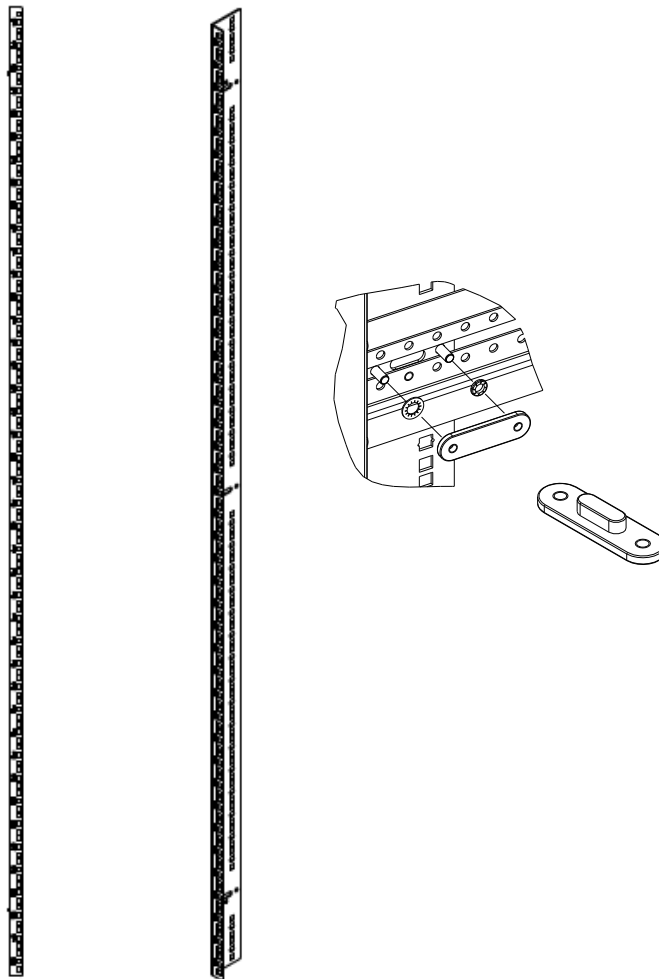


REF: ACJMAR27

19" rear mounting for Classic cabinet – 27U (width 600mm only)



Descriptions

- 19" rear mounting for Classic cabinet 27U and 600mm width
- Adjustable mounting by a sliding system
- Numbering of the U to allow an easy tracking
- Material : Zinc coating steel 20/10
- Screws and sliding system provided

Ordering information

Part number	Designation	Packaging
ACJMAR27	19" rear mounting for Classic cabinet 27U and 600mm width	2 mounting