

TXVV-SDI2HDMI-TRUE1

Video converter - SDI to HDMI



DESIGNED & MANUFACTURED
IN CANADA

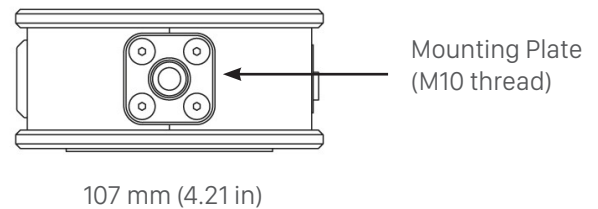
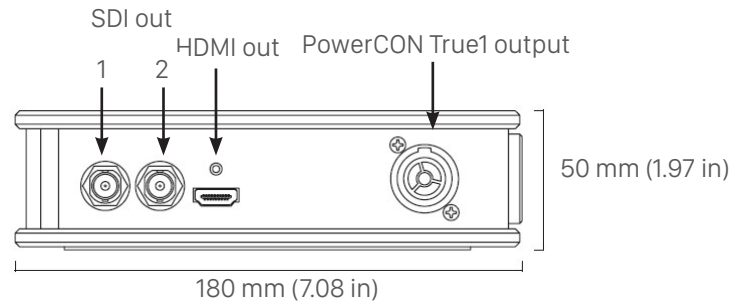
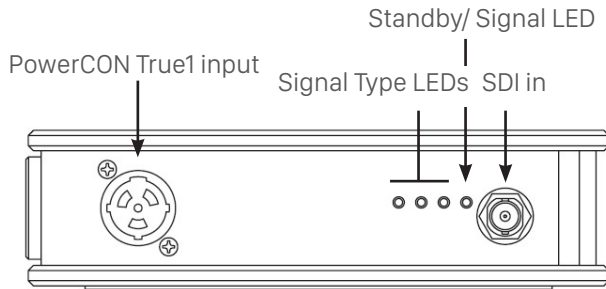
Professional equipment in mission-critical applications is all about reliability and confidence. So we started with a clean sheet, and built what may soon become your most trustworthy piece of equipment.

Introducing the world's first video converters truly designed for the road. Video converters nowadays are used everywhere on professional A/V events, presentations, live shows and tours and often have a critical role. Yet, they are often the weakest link in the signal chain. Low quality connectors, weak enclosure, external consumer-grade power supply, and overall barebones design that all contribute to a generally unreliable piece of equipment. We wanted to change that, so we designed the Video Converters.



FEATURES

- ✓ **Integrated power supply** with locking PowerCON True 1 Connector. Never rely on a cluster of wall-warts again.
- ✓ **Built-in convenience AC** outlet to power nearby projector, TV, laptop, small video projector... Power bar to power both the converter and device not required anymore.
- ✓ **Magnetic stacking system** and non-skid rubber pad for table top application. Saves at least 10 gaffer tape rolls a year.
- ✓ **Multiple mounting options** : C-Clamp, wall-mount adapter, LCD mount adapter and belt adaptor.
- ✓ **Rugged, Tour-ready and aesthetic enclosure** : The sexiest widget in your tool box, that will keep looking good for years to come.
- ✓ **Plug-n-play operation** ; No dipswitches, buttons or menus to fumble with : It just works.
- ✓ Clear and ample status **LED indicators** for quick troubleshooting.
- ✓ **Easy on-the-field identification** with unique color and alphabetic coding system.
- ✓ **Locking HDMI port** prevents accidental disconnection.
- ✓ **Relocked and amplified** SDI loop thru
- ✓ Proudly designed and assembled **in Canada**.



CONNECTIONS

Video Input	3G/HD/SD SDI BNC
Video Output	HDMI 1.2 type A with lock system 2 x 3G/HD/SD SDI BNC

SUPPORTED SIGNALS

3G Video Format Support 1080p50, 1080p59.94, 1080p60.

HD Video Format Support 720p50, 720p59.94, 720p60, 1080i50, 1080i59.94, 1080i60, 1080p23.98, 1080PsF23.98, 1080p24, 1080PsF24, 1080p25, 1080PsF25, 1080p29.97, 1080PsF29.97, 1080p30, 1080PsF30

SD Format Support 525/23.98 NTSC, 525/29.97 NTSC, 625/25 PAL.

SDI Video Sampling 4:2:2 and 4:4:4
SDI Audio Sampling Sample rate of 48 kHz and 24 bit.
SDI Color Space YUV and RGB
SDI Auto Switching Automatically detects incoming signal format.

PHYSICAL SPECIFICATIONS

Height	50 mm (1.97 in)
Depth	180 mm (7.08 in)
Width	107 mm (4.21 in)
Weight	1 kg (2.2 lbs)

ENVIRONNEMENTAL SPECIFICATIONS

Relative Humidity 0 % to 90 % non-condensing

POWER REQUIREMENTS

Power supply	Built-in power supply PowerCON True1 input PowerCON True1 output
Power consumption	25 W
Operational voltage range	90-250V with True1connectors
Courtesy outlet	Max 10 A, same voltage as input

IN THE BOX

- Converter SDI to HDMI (True1)
- HDMI male with locking system to DVI male (1m)
- AC Mains True 1 cable (1.5 m, specify plug type at ordering)

CERTIFICATION

This device complies with the following international standards	CAN/CSA-C22.2 NO. 60950-1-07 UL 60950-1 FCC Part 15 Class A EN 60950-1, EN 55022
--	---

ORDERING INFORMATION

- TXVV-HDMI2SDI-TRUE1** HDMI to SDI converter (True1)
- TXVV-SDI2HDMI-TRUE1** SDI to HDMI converter (True1)
- TXVV-SDIDA-TRUE1** SDI Distribution Amplifier (4 outputs, True1)
- TXVV-SDI2AUDIO-TRUE1** SDI Audio DeEmbedder (True 1)

- TXVV-SDI2SDI-TRUE1.....** Dual Channel SDI Repeater (True1)
- XVV-CC1** Video Converter Carrying Case for 1 unit
- XVV-CC2** Video Converter Carrying Case for 2 units
- XVV-CC3.....** Video Converter Carrying Case for 3 units