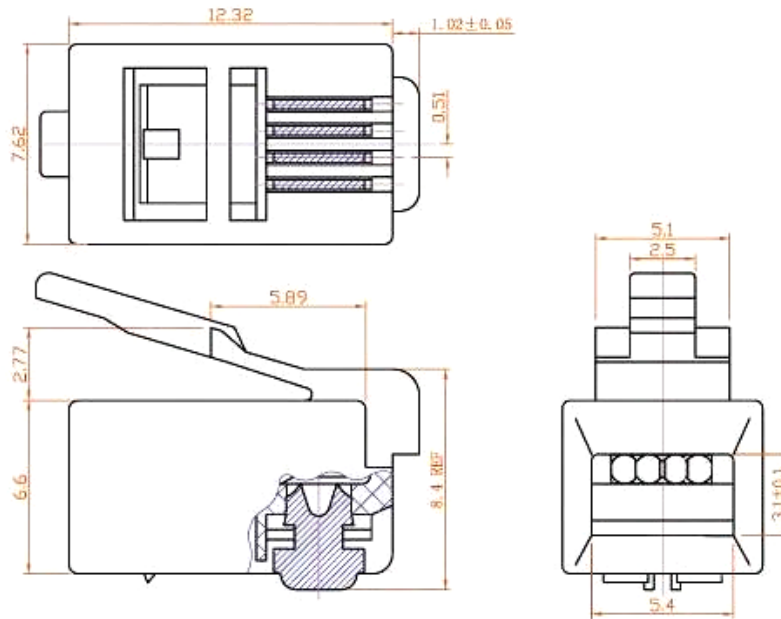


## REF: RJP44

Unshielded RJ9 4P 4C plug



### Descriptions

- Unshielded RJ 9 plug for unshielded flat cable - AWG 24, AWG 26 & AWG 28.
- 4 positions – 4 contacts
- Materials : polycarbonate (UL94V-0 or UL94V-2)
- contact in bronze with gold plating

### Electrical characteristics

Applications UL	250V AC max at 2A
Insulation resistance	100 MΩ

### Ordering information

Réf.	Designation	Packaging
RJP44	Unshielded RJ9 4P 4C plug	100