



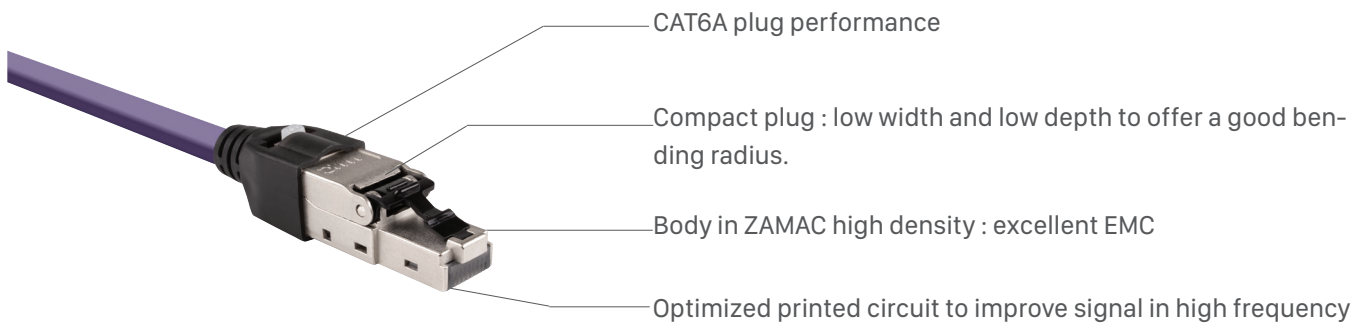
PLST6AFS

Full shielded CAT6A tool less straight RJ45 plug - Link+ range



Benefits ⁺

- Tool less CAT6A RJ45 plug : solid and stranded wire
- Compact plug
- Full shielded 360° ZAMAC body
- Industrial and TIA 568 code

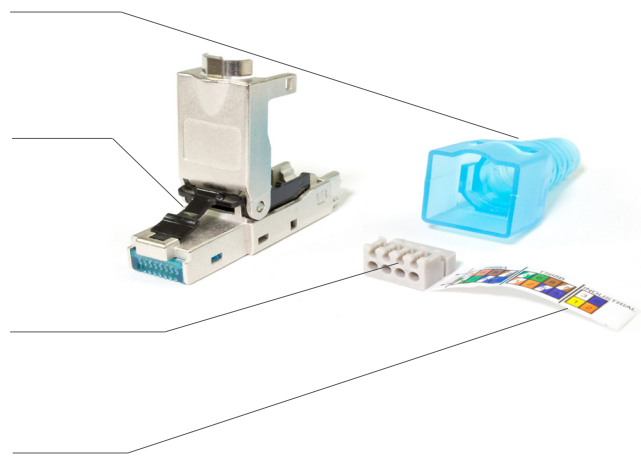


Boots can be adjustable up to 8.5mm cable diameter

Incorporated latch to facilitate the plug unlocking

Tool less termination through a wiring cap : wires split in two levels to offer the best NEXT value possible

Color code TIA 568 A or B and Industrial coding





PLST6AFS

Full shielded CAT6A tool less straight RJ45 plug - Link+ range

PERFORMANCES

CONNECTOR	SYSTEM
IEC 60603-7-5 CAT6A	TIA 568-C.2 CAT6a
FCC Part 68 subpart F	ISO 11801 Ed2.2 Class Ea
TIA 570-B	EN 50173-1
UL 18663	IEEE 802.3af & at (PoE / PoEP)

TECHNICAL PROPERTIES

IDC :	Bronze + Platine / Cu + SnPb 80μ
Solid and flexible wires	AWG 26 to AWG 23
Maximum insulation diameter :	1.3 mm
Maximum cable diameter :	8.5mm
Contacts :	Bronze, Platine Ni and Au 1.2μm
Body	ZAMAC
Color code	568A & B

ELECTRICAL PROPERTIES

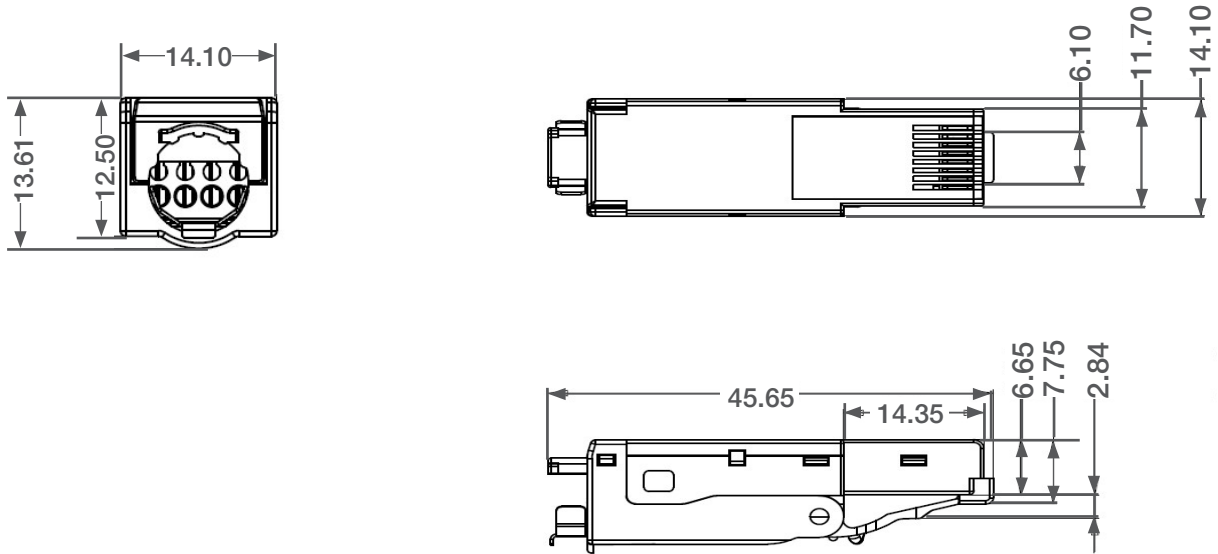
Contact resistance :	< 20 mΩ IEC 60512-2-1 Test 2a
Input/Output resistance :	< 200mΩ IEC 60512-2-1 Test 2a
Insulation resistance :	> 500MΩ @100V DC IEC 60512-3-1 Test 3a
Voltage :	> 1000V DC contact to contact > 1500V DC contact to shield (IEC 60512-4-1 Test 4a Method A)
Insertion cycle :	> 1000
Operating voltage :	< 72V DC
Capacity of power :	< 30W
Operating Temperature :	-40°C à +70°C



PLST6AFS

Full shielded CAT6A tool less straight RJ45 plug - Link+ range

3D DRAWINGS



ORDERING INFORMATION

P/N	DESCRIPTION	PACKING
PLST6AFS	Full shielded CAT6A RJ45 modular jack Link+ range	1

ORDER	PACKING LEVEL	QUANTITY	PICTURE PACKING
If quantity is nx1 pc 	Unit polybag 112x80 Total weight 160g	1 pc	
If quantity is nx20 pcs 	Neutral carton box 200x140x100	20 pcs	
If quantity is nx200 pcs 	Neutral carton box 535x313x234	200 pcs	
If quantity is nx3200 pcs 	Wood pallet 800x1200x1100	3200 pcs	