



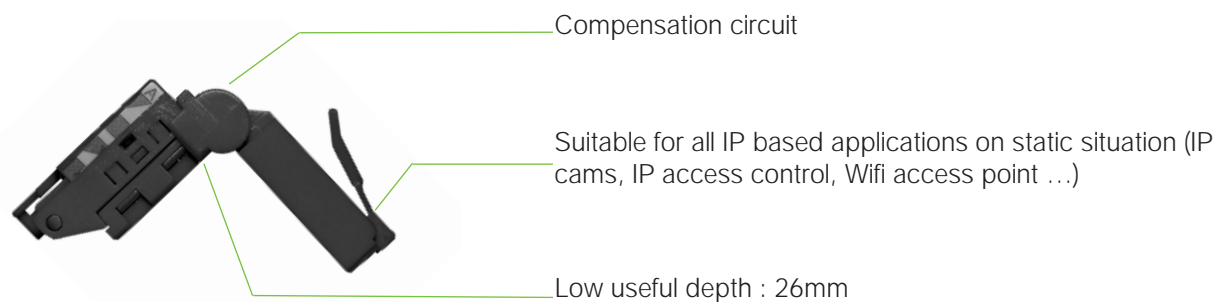
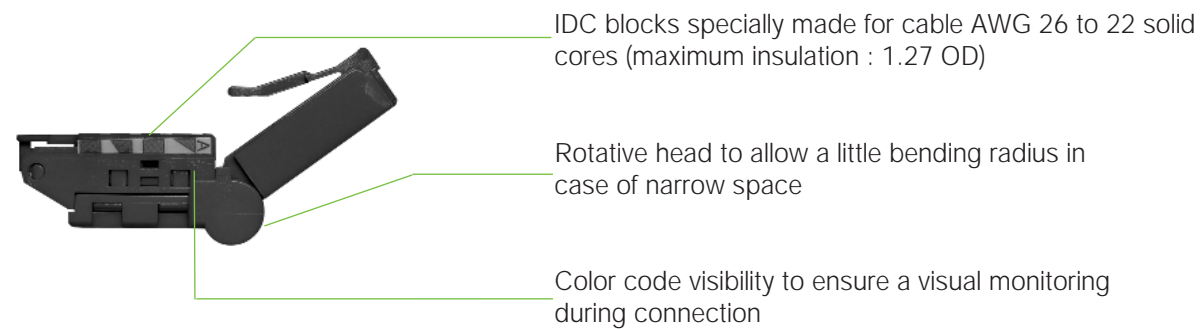
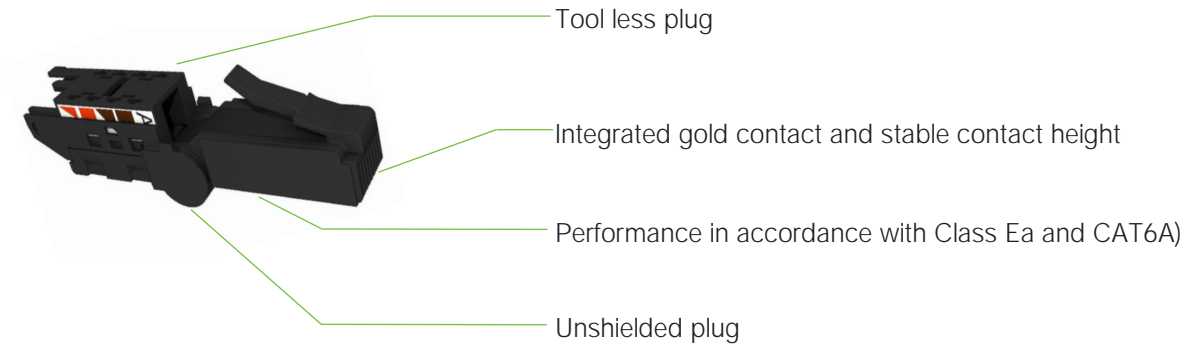
PLAG6ANB

Unshielded rotative RJ45 “field installable” plug



Benefits +

- Angled Plug RJ45
- Direct attach for IP Solutions
- Tool less plug for solid cables





PLAG6ANB

Unshielded rotative RJ45 “field installable” plug

PERFORMANCES

SYSTEM	ISO 11801 channel Class Ea
	EIA TIA 568-C.2 channel Cat 6A
	PoE / PoEP

TECHNICAL PROPERTIES

Connection without tool by IDC	Phosphor Bronze and nickel plating
Conductor gauge	AWG 26 to AWG 22 solid conductor with insulation max 1.27mm
Dimensions	Conforms to FCC part 68 subpart F requirements
Contacts	Gold plating in localized area over nickel undercoat
Housing	Fire retardant thermal plastic UL94-V0
Color code	568A & 568B

ELECTRICAL PROPERTIES

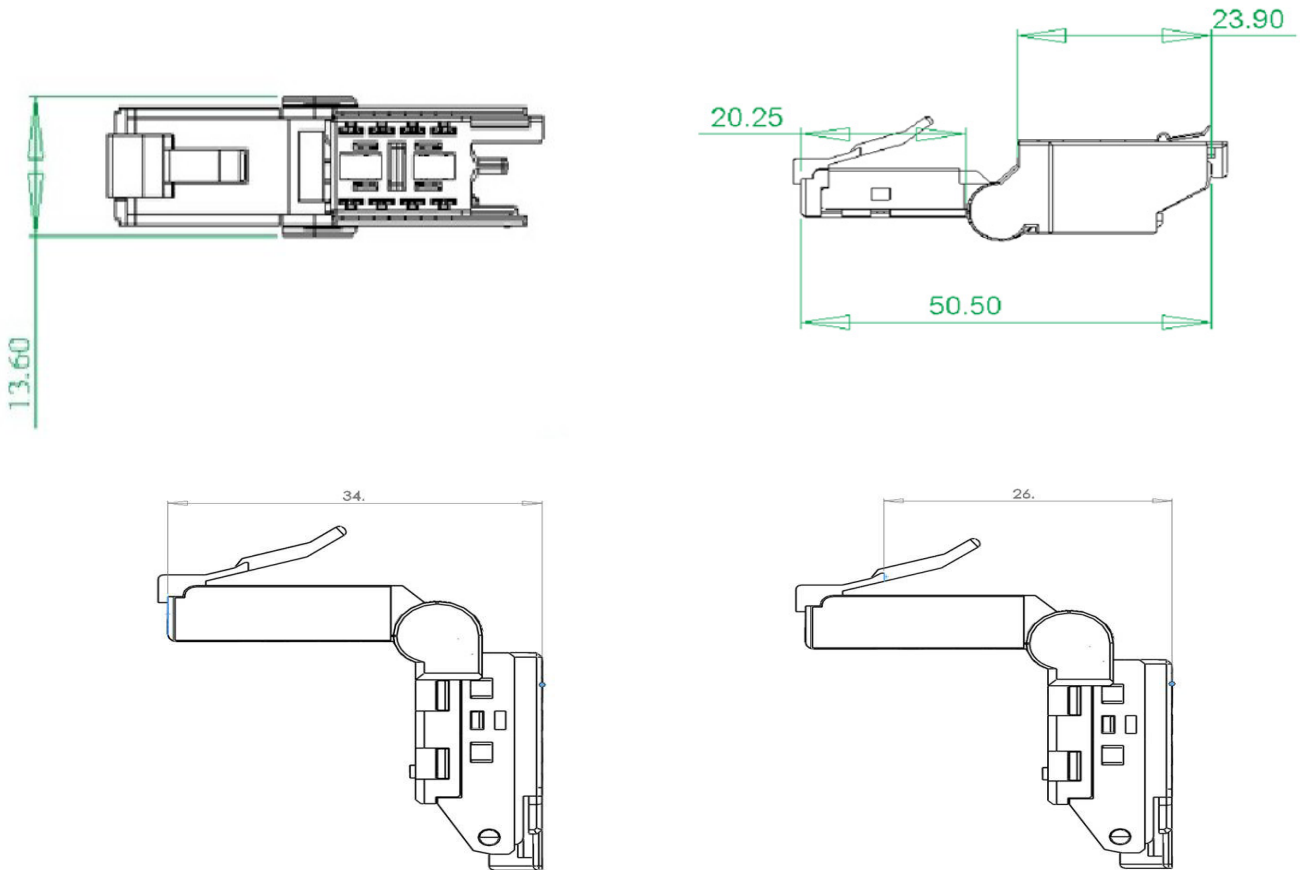
Contact resistance :	< 20 mΩ
Input/Output resistance :	< 200mΩ
Operating voltage :	≤ 72V dc
Insertion cycle :	> 500
Head rotation cycle	< 50



PLAG6ANB

Unshielded rotative RJ45 "field installable" plug

3D DRAWINGS



ORDERING INFORMATION

REF	DESCRIPTION	PACKING
PLAG6ANB	Angled unshielded RJ45 plug tool less	UNITS