



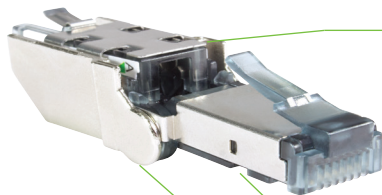
PLAG6AFS

Toolless full shielded angled RJ45 "field installable" plug



Benefits +

- Angled plug RJ45 -135°
- Direct attach for IP Solutions
- Tool less Plug for solid cables



Tool less plug

Integrated gold contact and stable contact height

Performance in accordance with Class Ea and CAT6A)

Full shielded



IDC blocks specially made for cable AWG 26 to 23 solid cores (maximum insulation : 1.27 OD)

Rotative head to allow a little bending radius in case of narrow space

Color code visibility to ensure a visual monitoring during connection



Compensation circuit

Suitable for all IP based applications on static situation (IP cams, IP access control, Wifi access point ...)

Low useful depth : 26mm



PLAG6AFS

Toolless full shielded angled RJ45 "field installable" plug

PERFORMANCES

SYSTEM	ISO 11801 channel Class Ea
	EIA TIA 568-C.2 channel Cat 6A
	PoE / PoEP

TECHNICAL PROPERTIES

Connection without tool by IDC	Phosphor Bronze and nickel plating
Conductor gauge	AWG 26 to AWG 22 solid conductor with insulation max 1.27mm
Dimensions	Conforms to FCC part 68 subpart F requirements
Contacts	Gold plating in localized area over nickel undercoat
Housing	ZAMAC
Color code	568A & 568B

ELECTRICAL PROPERTIES

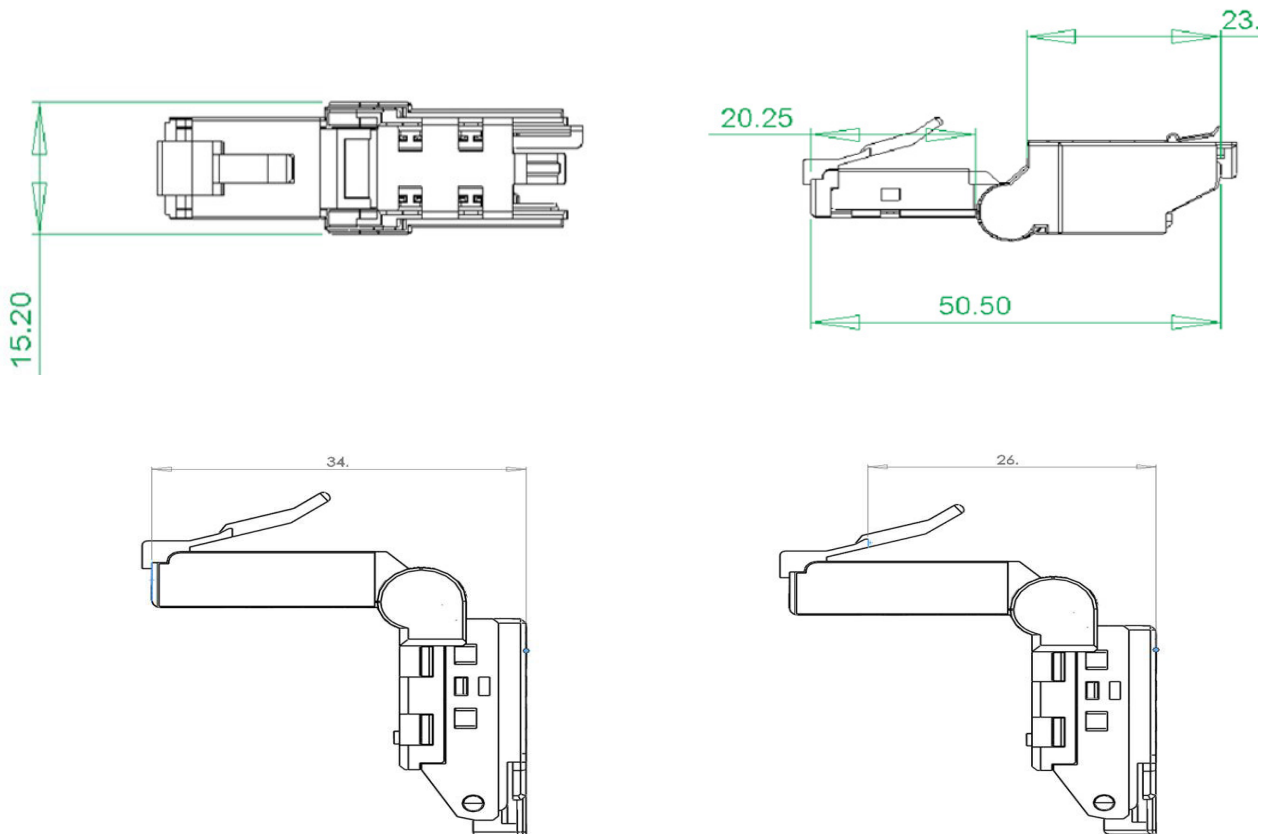
Contact resistance :	< 20 mΩ
Input/Output resistance :	< 200mΩ
Operating voltage :	≤ 72V dc
Insertion cycle :	> 500
Head rotation cycle	< 50



PLAG6AFS

Toolless full shielded angled RJ45 “field installable” plug

3D DRAWINGS



ORDERING INFORMATION

REF	DESCRIPTION	PACKING
PLAG6AFS	Full shielded angled RJ45 plug	UNITS