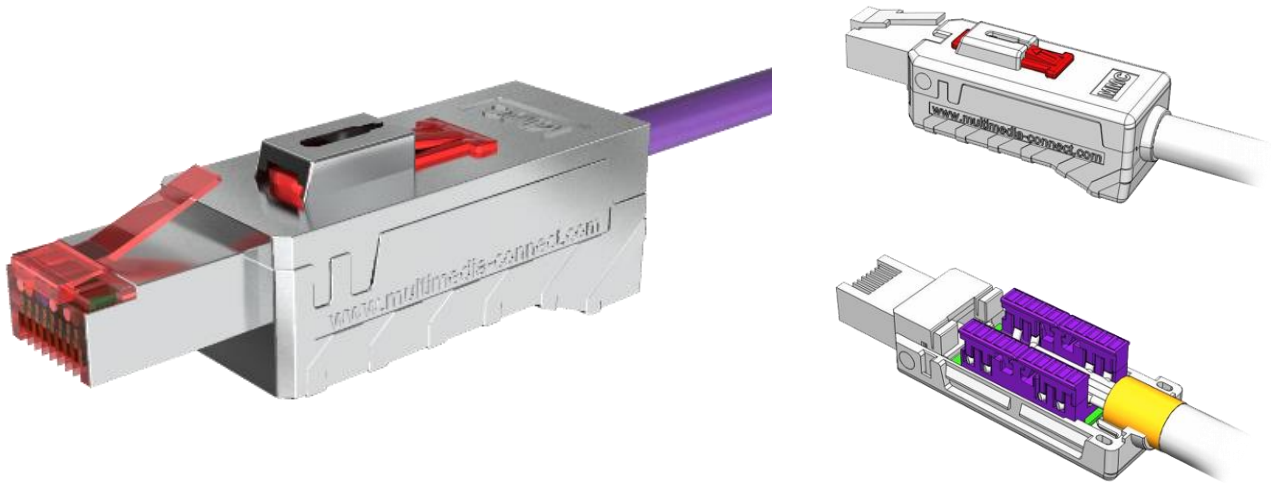


REF: PL6AFS

Multifunction Classe Ea performance RJ45 plug full shielded



Descriptions

- Consolidation point with solid core cable (see drawing and table)
- Patch Cords (solid core)
- 360 ° shielding
- 19mm width
- Total length (including cable exit – in case of use with IP Camera) 140 mm
- Termination with AWG22 AWG23 and AWG24 conductors. Conductor external diameter 5 to 8 mm.
- Integrated locking device (Specific key for unlocking)

Standards

SOLID CORE PATCH CORD	The PL6AFS associated with MMC Cat6A cables (5254SH or F5554SH) will constitute cords which meet ISO11801 CHANNEL/ CLASSEa
CONSOLIDATION POINT	The ISO 11801 imposed standards mini and maxi length for each segment of the link. Values defined in the tables, here below, are based upon standard data and upon ISO 11801 Channel tests of the link.
PoE AND PoE+ CONFORMITY	Thanks to its 50 μ inches gold plates contacts, the multi-application plug, PL6AFS, meets POE and PoEP requirements according to IEEE 802.3 af and IEEE 802.3 at.

REF: PL6AFS

Multifunction Classe Ea performance RJ45 plug full shielded

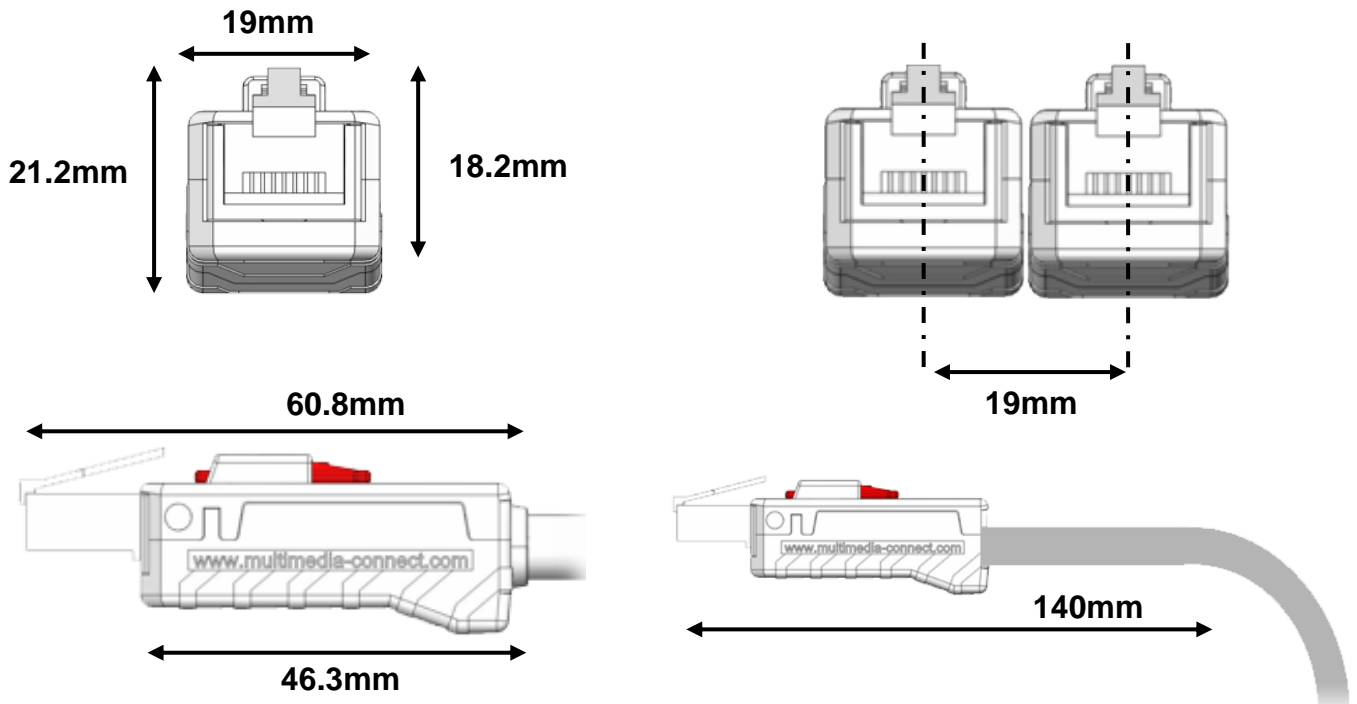
Technical characteristics

Dielectric strength	≥ 1000V d.c. contact to contact ≥ 1500V d.c. contact to screen (IEC 60512-4-1 Test 4a Method A)
Insertion cycles	> 500
Current	≤ 0.175mA / conductor
Operating voltage	≤ 72V d.c.
Tool less termination	with IDC Bronze + platinum / Cu + SnPb 8µm
Solid core conductors	AWG 23 AWG 22 and AWG24
Body	In ZAMAK5
Colour coding	T568B

Standard: Values from IEC 61156_5.

The installation & environmental requirements can modify the values above. Multimedia Connect reserves the right to modify the present characteristics without preliminary notification

Dimensions



REF: PL6AFS

Multifunction Classe Ea performance RJ45 plug full shielded

Related product

Part number	Designation
PL6AFSKEY	Key for multifunction plug PL6AFS

Ordering information

Item No	Designation	Packaging
PL6AFS	Multifunction CAT6A plug RJ45 full shielded	8