

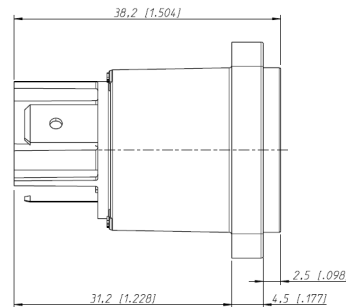
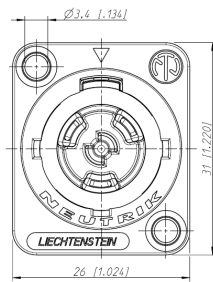
NAC3MPXWTOP

Embase PowerCon True 1 TOP MÂLE



+ ADVANTAGES

- True Outdoor Protection (TOP) Connector
- Waterproof and robust for harsh and demanding environments
- Can be connected and disconnected under load and voltage
- Easy and reliable «Twist-lock» system



DESCRIPTION / APPLICATIONS

- Sound system
- Lights
- Signage and LED screens

STANDARD

CONNECTOR : Certified ENEC - IEC 60320

and certified UL498

INFLAMMABILITY : UL 94 V-0

PROTECTION CLASS : IP 65, UL50E

ELECTRICAL CHARACTERISTICS

CONTACT RESISTANCE : 3 mΩ

DIELECTRIC STRENGTH :

4kVdc / 2.8 kVac

INSULATION RESISTANCE :

>0.1 GΩ IEC 68-2-30

NUMBER OF ELECTRONICAL CONTACTS :

2 + PE

RATED CURRENT PER CONTACT :

16 A rms

RATED VOLTAGE :

250 V ac

MECHANICAL / TECHNICAL PROPERTIES

LIFETIME : > 5000

WIRESIZE : 2.5 mm²

WIRESIZE : 12 AWG

CONTACTS : Copper

SHELL : Polyamide

TEMPERATURE RANGE :

-30°C à +80°C

ORDER INFORMATION

PART NB	DESCRIPTION	PACKAGING
NAC3MXWTOP	FICHE POWERCON TRUE1 TOP FEMELLE	Individually