

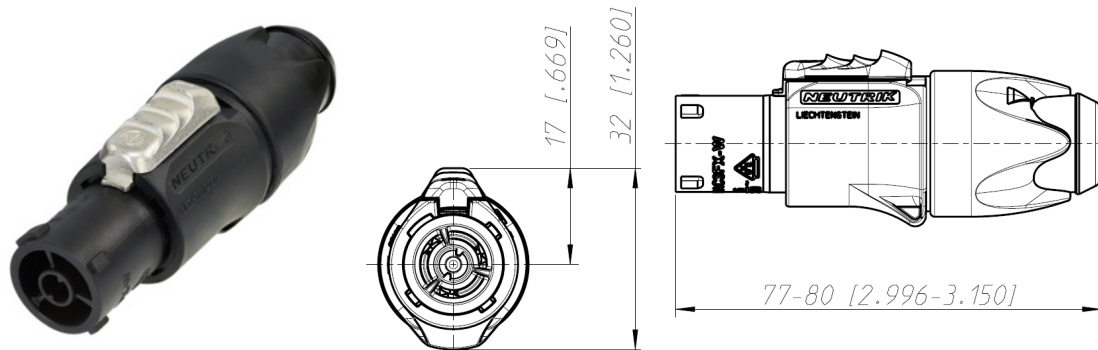
## NAC3FXWTOP

Locking Female Cable Connector PowerCon True 1 TOP



### + ADVANTAGES

- True Outdoor Protection (TOP) connector
- Waterproof and robust for harsh and demanding environments
- Power connector with breaking capacity
- Easy and reliable locking system



## DESCRIPTION / APPLICATIONS

- Sound system
- Lights
- Signage and LED screens

## STANDARD

**CONNECTOR** : Certified ENEC - IEC 60320 and certified UL498

**INFLAMMABILITY** : UL 94 V-0

**CLASS PROTECTION** : IP 65, UL50E

## ELECTRICAL CHARACTERISTICS

**CONTACT RESISTANCE :** 3 mΩ

**DIELECTRIC STRENGTH :**

4 kVdc / 2.8 kVac

**INSULATION RESISTANCE :**

>0.1 GΩ IEC 68-2-30

**NUMBER OF ELECTRONICAL CONTACTS :**

2 + PE

**RATED CURRENT PER CONTACT :**

16 A rms

**RATED VOLTAGE :**

250 V ac

## MECHANICAL / TECHNICAL PROPERTIES

**LIFETIME (CYCLE MONTAGE/DÉMONTAGE):** >5000

**TEMPERATURE RANGE :** -30°C à +80°C

**WIRESIZE :** 1.0 - 2.5 mm<sup>2</sup>

**WIRESIZE :** 12 AWG

**CONTACTS :** Bronze

**SHELL :** Polyamide

## ORDER INFORMATION

PART NB	DESCRIPTION	PACKAGING
NAC3FXWTOP	Locking Female Cable Connector PowerCon True 1 TOP	Individually