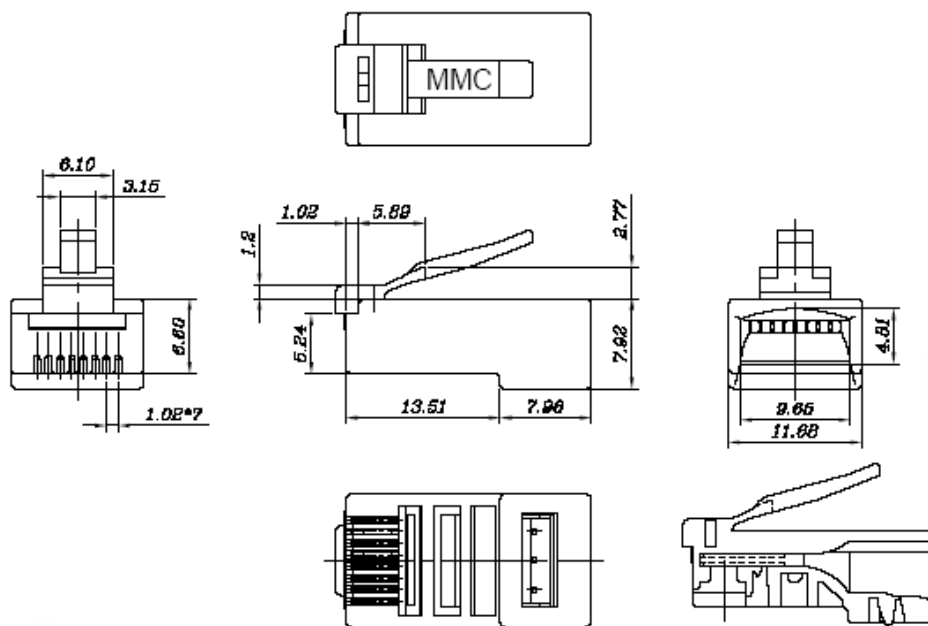


Unshielded RJ45 plug Category 5e for stranded or solid cable



Descriptions

- Unshielded RJ45 plug for unshielded round stranded or solid cable category 5e - AWG 24 & AWG 26
- Max. insulation diameter : 1.05mm
- 8 positions – 8 contacts
- Half-round entry
- Materials : polycarbonate (UL94V-0 or UL94V-2)
- Contact in bronze with gold plating

Electrical characteristics

Applications UL	250V AC max at 2A
Insulation resistance	100 MΩ

Related product

Part number	Designation
MMCP86MET	Crimp tool for 6/8 contact modular plug

Ordering information

Réf.	Designation	Packaging
MMCRJ45UC5UNIV	Category 5e RJ45 modular plug 8 contacts - unshielded	100 in plastic box