



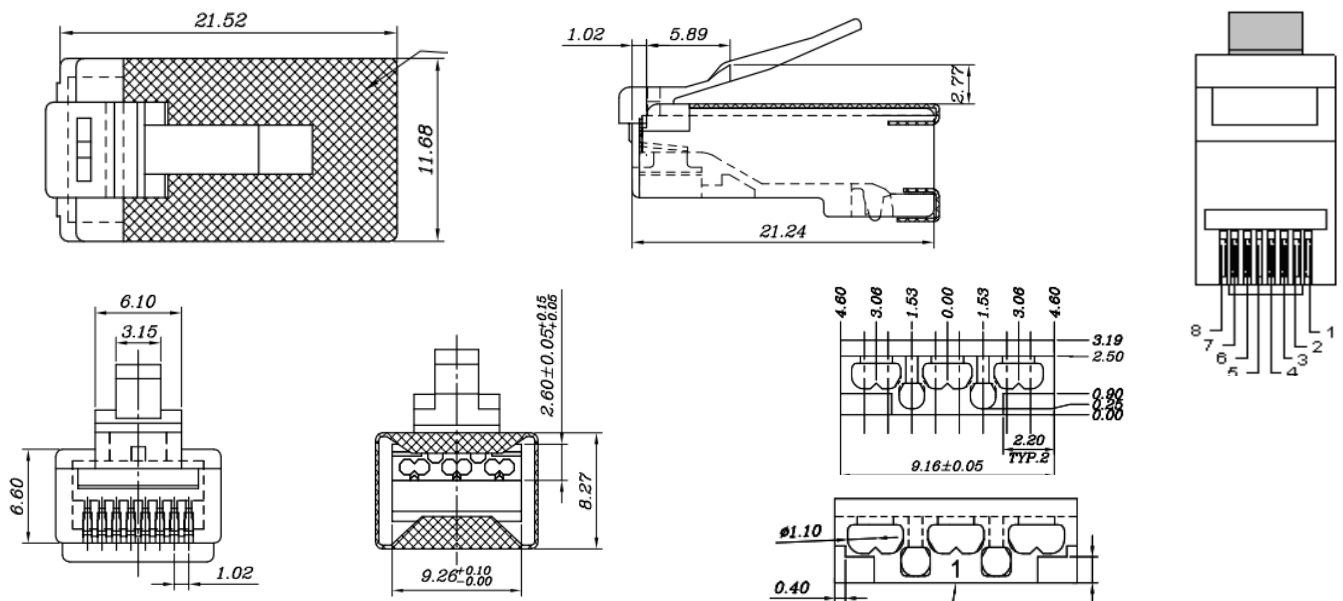
### Descriptions

- Shielded RJ45 plug for shielded round stranded cable category 6A: **AWG 24 & AWG 26**
- Conductors split on 2 levels in order to ensure a better crosstalk (NEXT)
- 8 positions – 8 contacts
- Half-round entry
- Materials : polycarbonate (UL94V-0 or UL94V-2) - contact in bronze with gold plating
- Gold plating 3μ
- Conditioning : by plastic box with 100 pieces

### Performances

Applications UL	250V AC / 2A
Insulation resistance	100MΩ

### 3D picture



REF: MMCRJ45SC6A

SHIELDED RJ45 CAT6A PLUG FOR STRANDED CABLE

## Related product

Part Number	Designation	Packaging
MRJSRx	Boots for RJ45 – diameter < 6mm	100
MRJTSx	Boots for RJ45 slim type – diameter < 6mm	100
MMCP86MET	Crimp tool for 6/8 contacts modular plug	Unit

## Ordering information

Part Number	Designation	Packaging
MMCRJ45SC6A	Shielded RJ45 CAT6A plug for stranded cable	100