



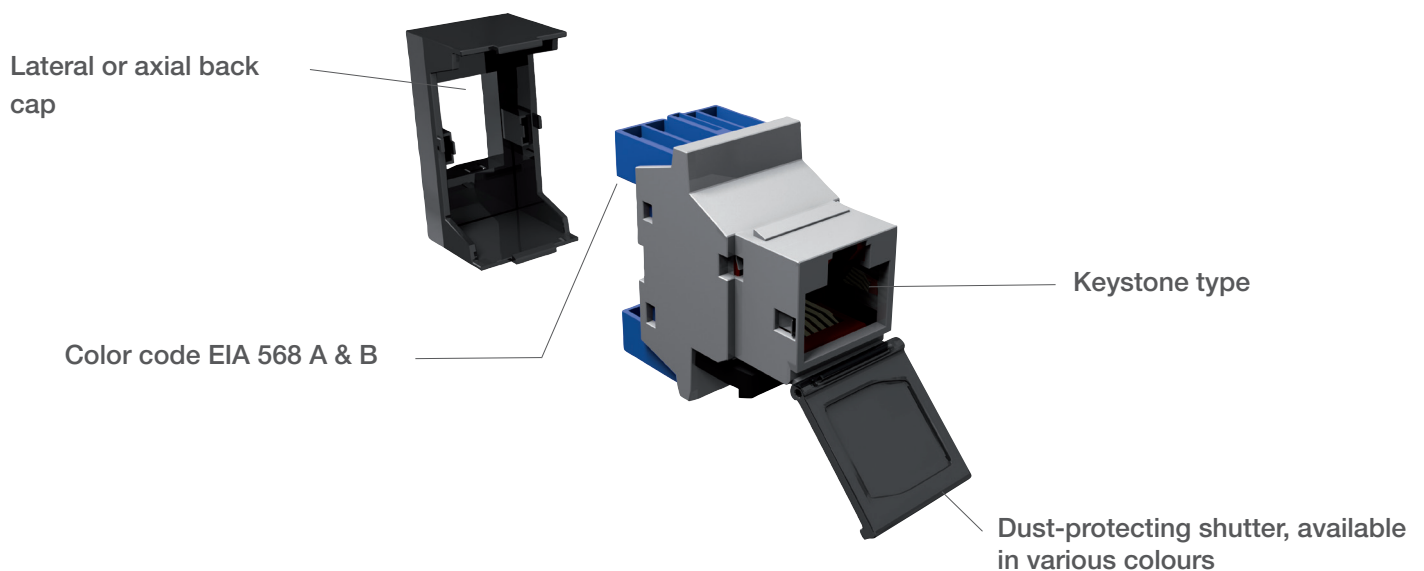
## MK6ASP

Cat 6A RJ45 keystone full shielded tooless connector for patch cable - MK range



## Benefits +

- Cat 6A RJ45 full shielded tooless connector for patch cable
- 4 insertors for a fast connection



## STANDARDS

CONNECTOR	SYSTEM
IEC 60603-7 CAT6A	EIA/TIA 568-C.2 CAT6a
EN 60603-7-51Ed. 1.0	ISO 11801 Ed2
	EN 50173-1



## MK6ASP

Cat 6A RJ45 keystone full shielded tooless connector for patch cable - MK range

### TECHNICAL PROPERTIES

CAD :	Bronze + Platine / Cu + SnPb 80μ
Stranded conductor:	AWG 26 to AWG 24
Contact :	Bronze, Platine Ni and Au 0.2μm
Metal body:	ZAMAK 5
Color code :	T568A and T568 B

### ELECTRICAL PROPERTIES

Contact resistance :	≤ 20 mΩ IEC 60512-2-1 Test 2a
Input/output resistance :	≤ 200mΩ IEC 60512-2-1 Test 2a
Insulation resistance:	≥ 500MΩ to 100V DC IEC 60512-3-1 Test 3a
Voltage :	≥ 1000V DC contact to contact ≥ 1500V DC contact to shield (IEC 60512-4-1 Test 4a Method A)
Cycle insertion :	> 500
Operating voltage :	≤ 72V DC
Power handling :	≤ 10W
Operating temperature :	-40°C to +70°C

### RELATED PRODUCTS

REF	DESCRIPTION	PACKAGING
MK6Vx	Coloured dust protecting shutters for MK range	8

### ORDERING INFORMATION

REF	DESCRIPTION	PACKAGING
MK6ASP	Cat 6A RJ45 full shielded tooless connector for patch cable - MK range	8