



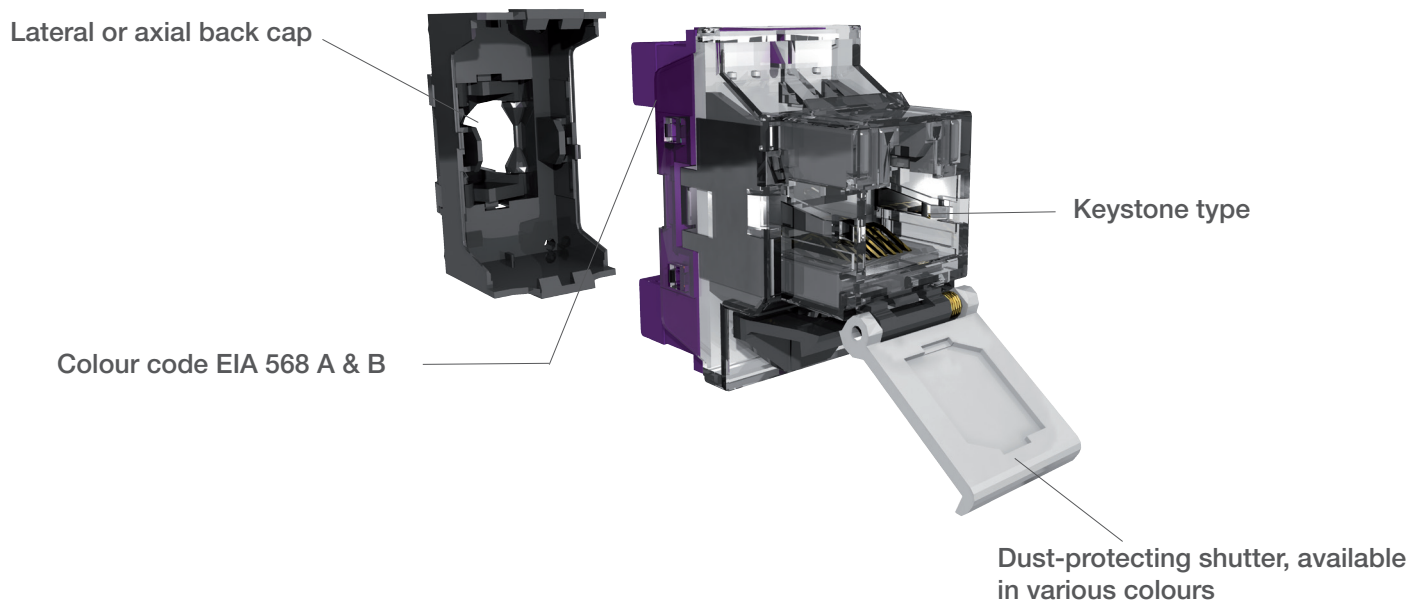
## MK6AN

CAT6 RJ45 9 points shielded tool-less connector - MK range



## Benefits <sup>+</sup>

- CAT6 RJ45 9 points shielded tool less connector
- 4 insertors for a fast connection



## STANDARDS

CONNECTOR	SYSTEM
IEC 60603-7-5 CAT6	EIA/TIA 568-C.2 CAT6
EN 60603-7-5	ISO 11801 ClassE Ed2
	EN 50173-2



## MK6AN

CAT6 RJ45 9 points shielded tool-less connector - MK range

### TECHNICAL PROPERTIES

CAD :	Bronze + Platine / Cu + SnPb 8µm
Stranded conductor:	AWG 24 to AWG 22
Contact :	Bronze, Platine Ni and Au 0.2µm
Metal body:	PC UL94V0
Color code :	T568A and T568 B

### ELECTRICAL PROPERTIES

Contact resistance :	≤ 20 mΩ IEC 60512-2-1 Test 2a
Input/output resistance :	≤ 200mΩ IEC 60512-2-1 Test 2a
Insulation resistance :	≥ 500MΩ to 100V DC IEC 60512-3-1 Test 3a
Voltage :	≥ 1000V DC contact to contact ≥ 1500V DC contact to masse
Cycle insertion :	> 500
Operating voltage :	≤ 72V DC
Power handling :	≤ 10W
Operating temperature :	≤ 10 µs (25-250 Hz, 5g, 3 axes) (IEC 60512-4-1 Test 2e)

### RELATED PRODUCTS

REF	DESCRIPTION	PACKAGING
MK6Vx	Coloured dust protecting shutters for MK range	8

### ORDERING INFORMATION

REF	DESCRIPTION	PACKAGING
MK6AN	CAT6 RJ45 shielded tool less connector- MK range	8