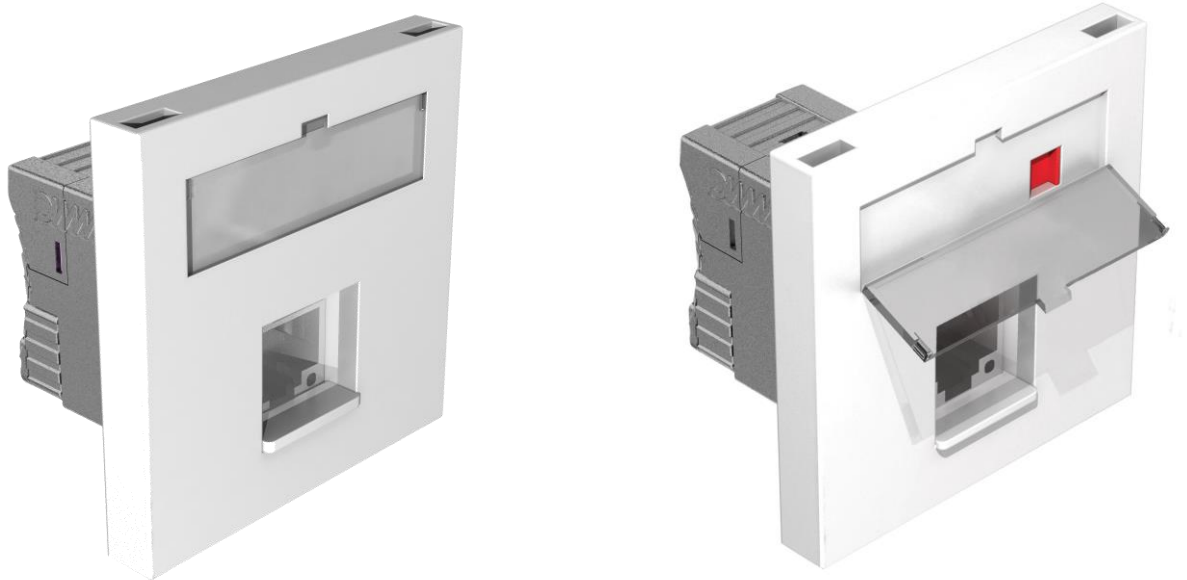


**REF: IVLOCK451C**

45x45 locking faceplate 1 connector – IV range



## Descriptions

The IVLOCK451C is a locking faceplate in order to give a first level of physical security. The locking dust shutter will avoid any insertion of object which can damage the contact of the connector.

The design of the IV faceplate will offer to your installation a discrete integration of the outlet point.

- Style : French style 45x45
- Equipped with a large label holder protected by a flapping window
- Easy locking system
- Unlocked system without any special key
- Hang system with high density : 12 fixing points
- Material Polycarbonate
- White RAL 9003

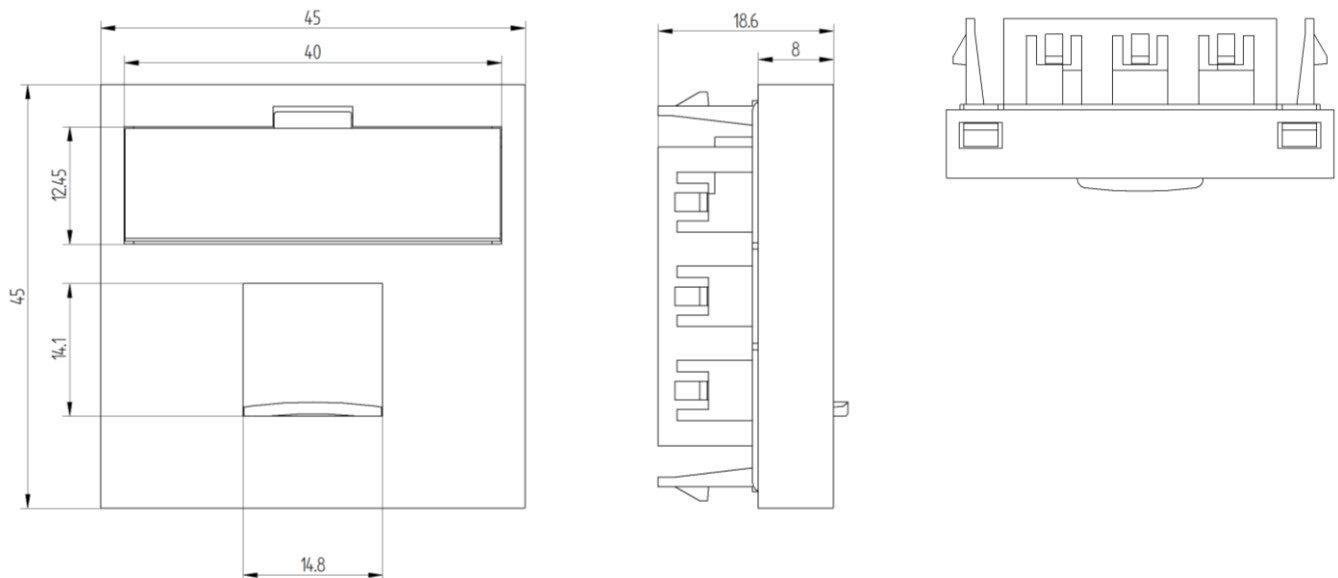
## REF: IVLOCK451C

45x45 locking faceplate 1 connector – IV range

### Properties

Style	French style 45x45
Material	Polycarbonate
Operating Temperature	-5°C to +45°C
Fire behavior	UL94V0

### Dimensions and drawings



### Ordering information

P/N	Designation	Packaging
IVLOCK451C8	45x45 locking faceplate 1 connector	8