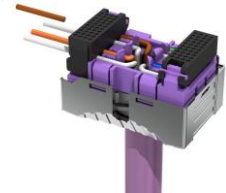


REF: IV6AFS

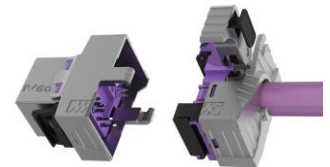
100% toolless CAT6A Full shielded modular jack – IV range



100% Tool less



PCB 4 layers



NEXT optimized



Descriptions

The IV6AFS is the real first 100% tool less connector, offering a gain on the time termination. The mechanicals innovations of the IV connector facilitate the termination field and offer a new way of cabling. The IV6AFS jack benefits from new method of compensation based on 4 layers PCB minimizing the noise in order to consider data rate more than 10Gbps.

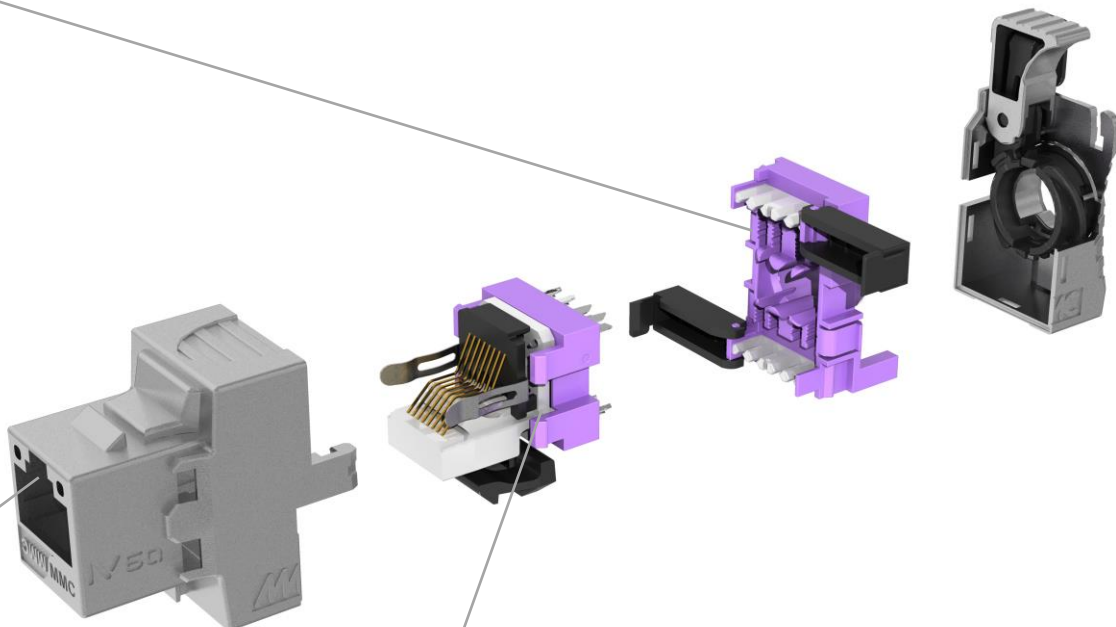
The IV6AFS certified by DELTA laboratory has been validated following the Re Embedded method to ensure optimum performance.

REF: IV6AFS

100% toolless CAT6A Full shielded modular jack – IV range

InnoVative termination method

- RJ45 connector equipped with wiring cap
- Back cap equipped with 2 zirconium blades molded on the body
- Axial arrival of the cable to minimize splitting pair and offer a good NEXT value
- Wings shape in order to make easy the split pair
- Stripes to maintain the wire to make easy the cutting

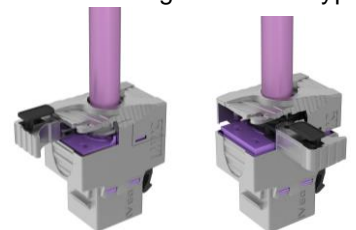


Electrical InnoVation

- 4 layers PCB to ensure a good ration S/N
- Optimized circuit to offer an excellent head room
- Contact design to answer to the standard IEC 60512-99

Mechanical InnoVation

- Keystone connector
- Full shielded 360° ZAMAC body
- Reduced depth to facilitate the integration on big part of wall plate
- Locking system based on propeller to ensure a perfect pressure of the wire on the IDC block
- 360° grounding system based on flange mounted on spring offering an excellent EMC regardless the type and diameter cable



REF: IV6AFS

100% tooless CAT6A Full shielded modular jack – IV range

Properties

Standard	Component	
	IEC	60603-7-51
	System	
	ISO	11801 Ed2 Amd2 Class Ea
	EIA / TIA	568-C.2 CAT6A
	EN	50173-1 Class Ea
	PoE / PoEP	IEC 60512-99

Applications	Ethernet up to 10GBaseT
	Voice, ISDN, VOIP

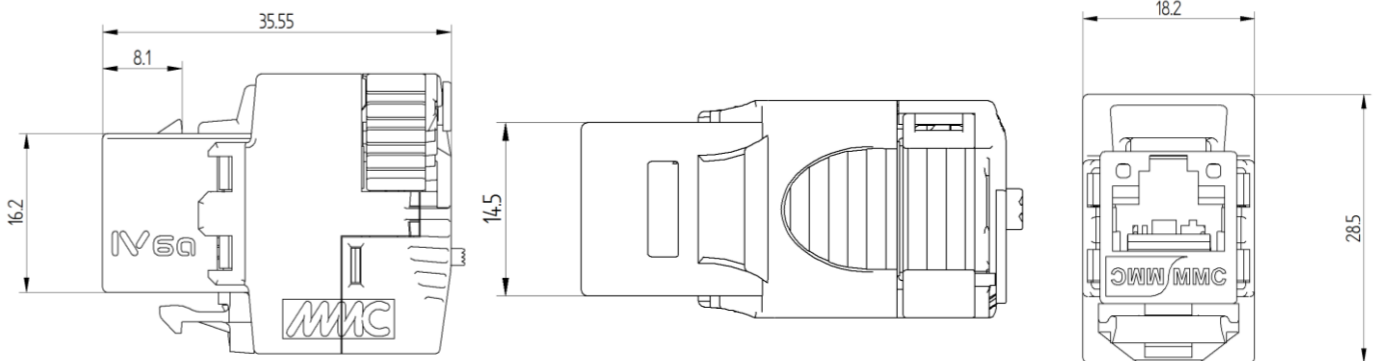
Electrical	Contact resistance	≤ 20 mΩ IEC 60512-2-1 Test 2a
	Input/output resistance	≤ 200 mΩ IEC 60512-2-1 Test 2a
	Insulation resistance	≥ 500 MΩ @ 100V DC IEC 60512-3-1 Test 3a
	Voltage	≥ 1000V DC contact to contact ≥ 1500V DC contact to screen (IEC 60512-4-1 Test 4a Method A)
	Insertion cycle	> 1000
	Operating voltage	≤ 72V DC
	Power capacity	≤ 30W
	Disturbance vibration	≤ 10μs (3 axis) (IEC 60512-4-1 Test 2e)
	Operating temperature	-40°C to +70°C

Mechanical	IDC	Bronze + platine / Cu + SnPb 80μ"
	Blade	Zirconium oxide (ZrO2) up to 8 termination
	Wire gauge	AWG 26 to AWG 22
	Insulation diameter max	1.3 mm
	Cable diameter max	8.7 mm
	Contacts	Bronze, platinum, Ni gold plating 1.2μm
	Body	ZAMAC
	Color coding	T568B

REF: IV6AFS

100% tooless CAT6A Full shielded modular jack – IV range

Drawings



Related product

Ref	Designation	Packaging
IVPAN1U	19" patch panel 24 ports – 1U	unit
IVLOCK451C8	45x45 locking faceplate 1 connector	8

Ordering information

Ref	Designation	Packaging
IV6AFS8	100% tooless CAT6A full shielded RJ45 connector	8