

I4PLST6AFSIP68

CAT6A RJ45 PLUG SHIELDED IP68

+ BENEFITS

- IP68 protection class
- Shielded ZAMAC 360°
- 1/4 turn waterproof lock
- Easy and quick to wire
- 4pPoE compliant



DESCRIPTION / APPLICATIONS

- RJ45 CAT6A plug suitable to harsh environments (industry, outdoor, ...)
- IP68 protection rating
- Toolless assembly and connexion
- Compliant to all standards required for structured cabling
- ZAMAC shielding for mechanical resistance and electromagnetic interferences protection
- Solid wire AWG 22-26
- Stranded wire AWG 23-27
- Cable diameter accepted : 6-8.5mm
- Sealing gasket compatibility : 6.5-9mm

NORMS

- Ethernet base T jusqu'à 10Gbits/s
- ISDN
- IEEE 802.3af/at/bt (PoE / PoE+/4pPoE)
- UL 1863
- IEC 60603-7-51
- ISO/IEC 11801-3

ELECTRICAL PROPERTIES

MAX CURRENT :

1.5A

CONTACT RESISTANCE:

20mΩ

ISOLATION RESISTANCE:

500MΩ

DIELECTRIC WITHSTAND VOLTAGE:

1000VAC

INSERTION CYCLE:

750 cycles

OPERATING TEMPERATURE :

-25°C à +50°C

MECHANICAL / TECHNICAL PROPERTIES

COATING: Nylon (ring)-Zn alloy+Nickel Plated (connector)

SHIELDING : Zamac

CONTACTS : Phosphor bronze with 50μ gold plating

COLOR CODE : 568B

AWG ADMISSIBLE : 22-26 solid

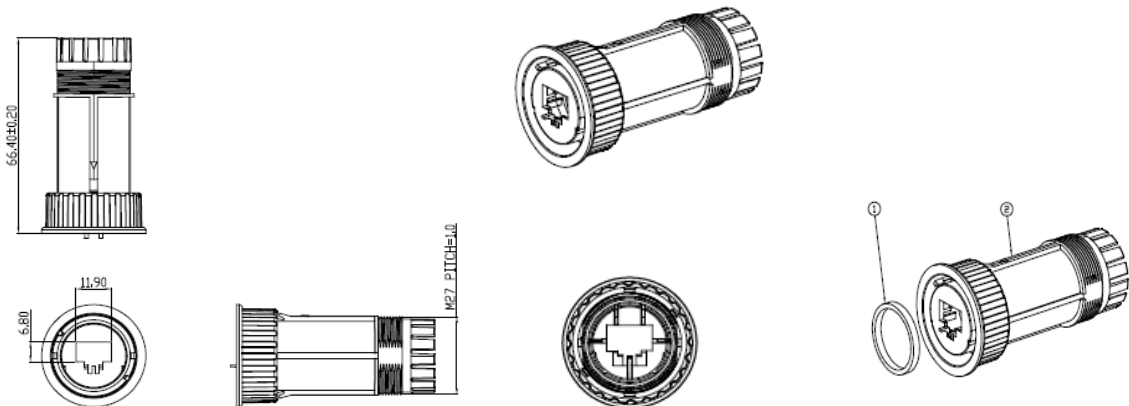
24-26 stranded

PERFORMANCES

CONNECTOR
IEC 60603-7-51 CAT6A
EN 50173-1
TIA/EIA-568-C.2
Insertion force : 30N
Conform to RoHS and REACH

SYSTEM
TIA 568-C.2 CAT6A
ISO 11801 Ed3 Class Ea
EN 50173-1
IEEE 802.3af/at/bt (PoE / PoE+/4pPoE)

DRAWINGS



ORDER INFORMATION

P/N	DESCRIPTION	PACKAGING
I4PLST6AFSIP68	RJ45 CAT6A FIELD PLUG IP68	Unit

ASSOCIATED PRODUCTS



I46AFSIP68
CAT6A RJ45 connector shielded IP68



I4COUPL6AIP68
CAT6A coupler shielded IP68



I4CAPPLUG
Sealing cap for RJ45 plug