

## I4COUPL6AIP68

RJ45 CAT6A COUPLER SHIELDED IP68

### + BENEFITS

- IP68 protection level suitable to harsh environments : dustproof & waterproof
- ZAMAC shielding 360 °
- 1/4 turn waterproof lock
- Tool-free assembly



IP 68



G. BITS



## DESCRIPTION / APPLICATIONS

- CAT6A RJ45 female/female straight junction coupler for Industrial Ethernet RJ45 CAT6A network
- IP68 protection rating
- Suitable to harsh environments (industrial, outdoor, ...)
- Ea class link performance
- Zamac shielding to avoid electromagnetic interference

## NORMS

- Ethernet base T jusqu'à 10Gbits/s
- IEEE 802.3af/at/bt (PoE / PoE+/4pPoE)
- ISDN
- UL 1863

## ENVIRONMENTAL PROPERTIES

### OPERATING TEMPERATURE :

-25°C à +50°C

### CONFORM TO :

RoHS and REACH

## ELECTRICAL PROPERTIES

**CURRENT :**

1.5A

**CONTACT RESISTANCE:**

20mΩ

**ISOLATION RESISTANCE:**

500MΩ

**DIELECTRIC WITHSTAND VOLTAGE :**

1000Vac - 60Hz

## MECHANICAL / TECHNICAL PROPERTIES

**COATING:**

Plastic ring : PA 66

Connector : Zn+Ni alloy

**SHIELDING :** Zamac

**INSERTION CYCLE :** 750 cycles

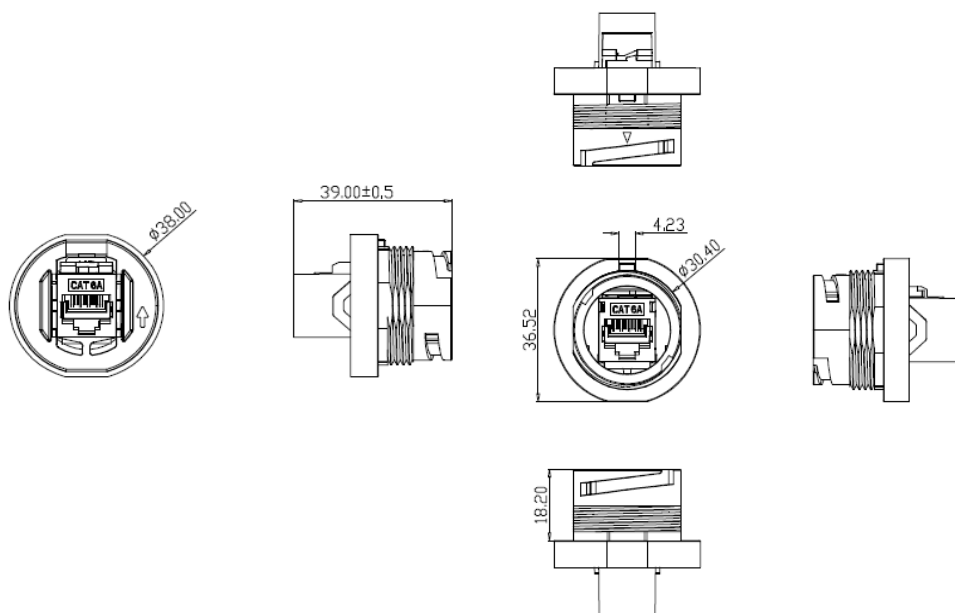
**CONTACT :** Bronze, platine Ni+Au 1.2μm

**INSERTION FORCE :** 30N

## PERFORMANCE

SYSTEM	APPLICATION
TIA 568-C.2 CAT6A	IEEE 802.3af/at/bt (PoE / PoE+/4pPoE)
ISO 11801 Ed3 Class Ea	
EN 50173-1	

## DRAWINGS



## ORDER INFORMATION

P/N	DESCRIPTION	CONDITIONING
I4COUPL6AIP68	CAT6A COUPLER SHIELDED IP68	Unit

## ASSOCIATED PRODUCTS



**I4PLUGIP68**  
RJ45 CAT6A Plug IP68



**I4CAPRJ**  
IP67 RJ45 coupler or connector cap



**I4PLST6AIP68**  
Field plug RJ45 CAT6A IP68 shielded