

P/N: ECONN5ENB8

CAT5E UTP RJ45 tooless modular jack



Descriptions

- CAT5E UTP RJ45 modular jack
- Tooless termination through a wiring cap
- Color coding TIA568 A et B
- Keystone format

Generality

Performances	ISO 11801 Ed2 et EIA/TIA 568-C.2
Shielding	UTP
Termination	Tooless with a wiring cap

Property

Mechanical

IDC	Phosphor Bronze
Contacts	Bronze Platine Nickel + gold plating 50μ
Body	ABS

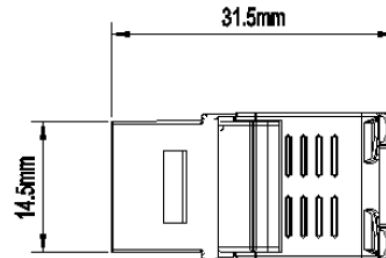
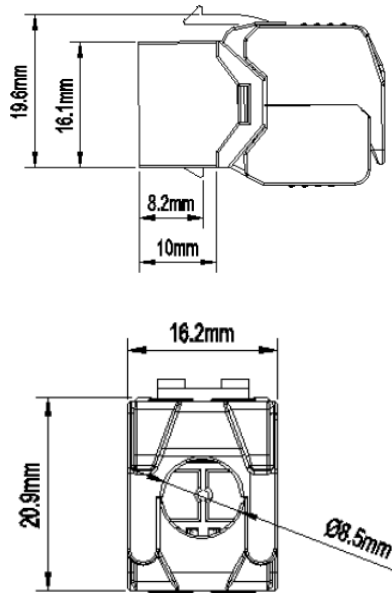
Property

Contact resistance	≤ 20mΩ
Insertion cycle	750 cycles min

P/N: ECONN5ENB8

CAT5E UTP RJ45 tooless modular jack

Dimensions



Ordering information

P/N	ECONN5ENB8
Designation	CAT5e Unshielded tooless RJ45 modular jack - Econn range
Packaging	8