



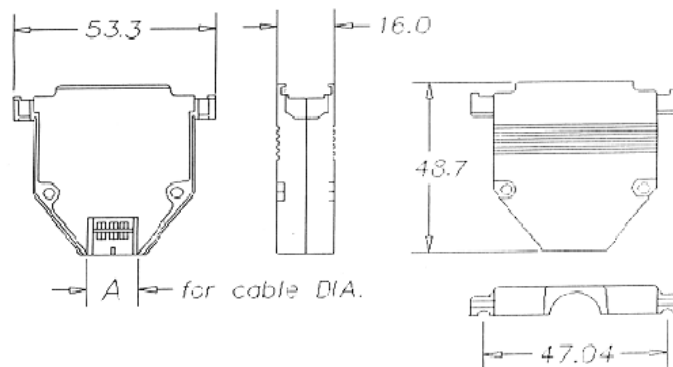
Description

Metal cover for 25 pins SUB D

Technical Characteristics

Material : zinc alloy
 Finished : chromate plated
 Ø outside A : 10 mm

Dimensional diagram



Ordering information

Part nb	Designation	Packaging
CBMC25	Metal cover 25 pins	Unit