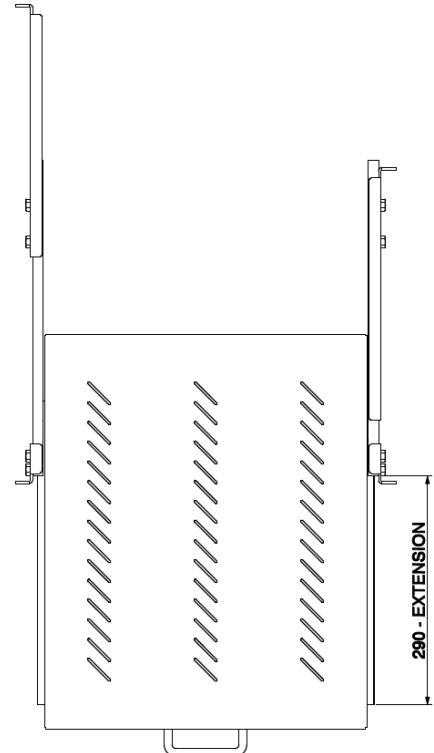
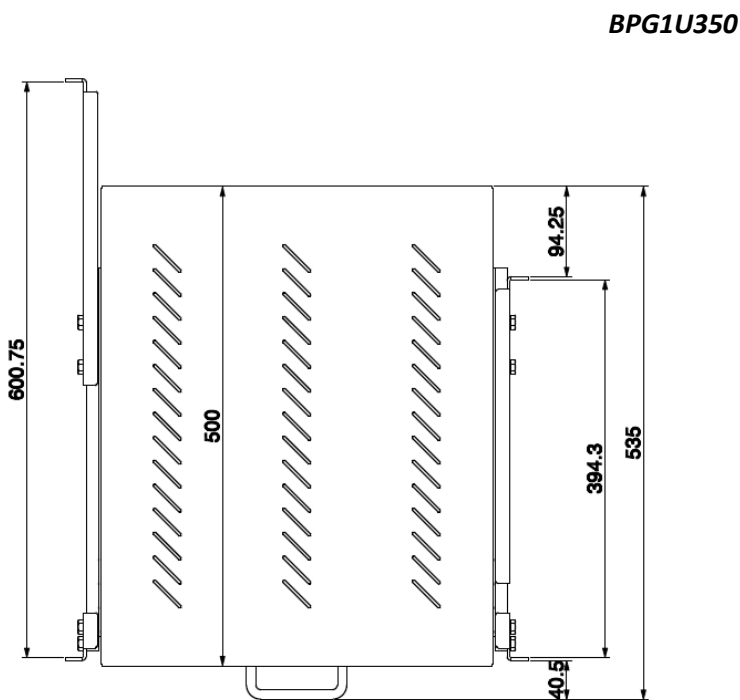
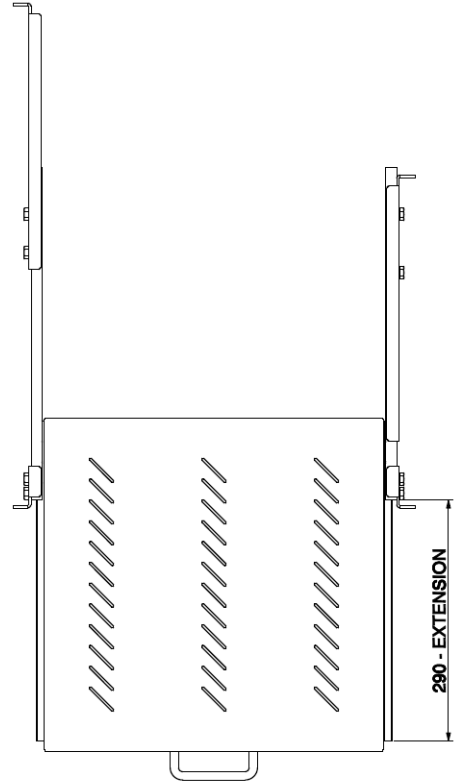
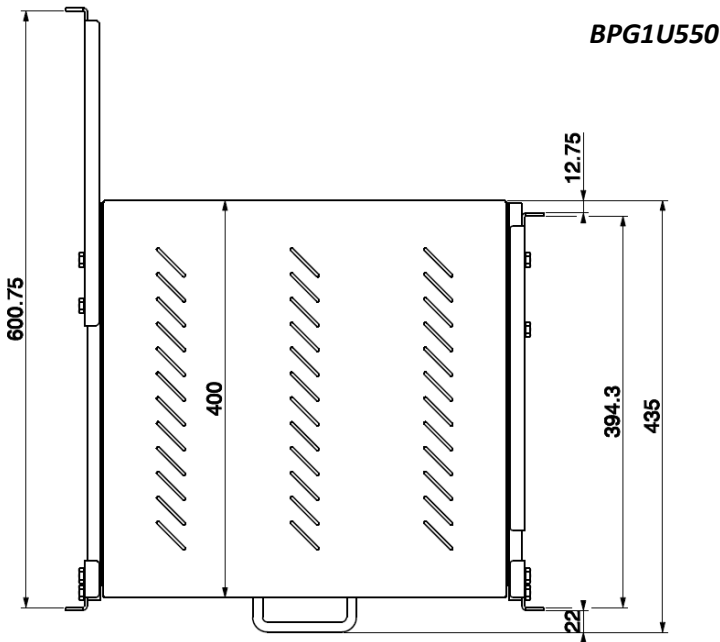




## Descriptions

- Vented 19" sliding plate for cabinet
- 350mm depth for BPG1U350 and 550mm depth for BPG1U550
- Height : 1U
- Assembly on the four mounting
- RAL7016 epoxy painting
- Material :
  - Plate : sheet steel 15/10
  - Support : sheet steel 30/10
- Loading capacity : 35kg

**Drawings & dimensions**





**REF: BPG1Uxxx**

19" sliding plate 350mm or 550mm depth – 1U

**Ordering information**

Part number	Designation	Packaging
<b>BPG1U350</b>	19" sliding plate 350mm depth	Unit
<b>BPG1U550</b>	19" sliding plate 350mm depth	Unit