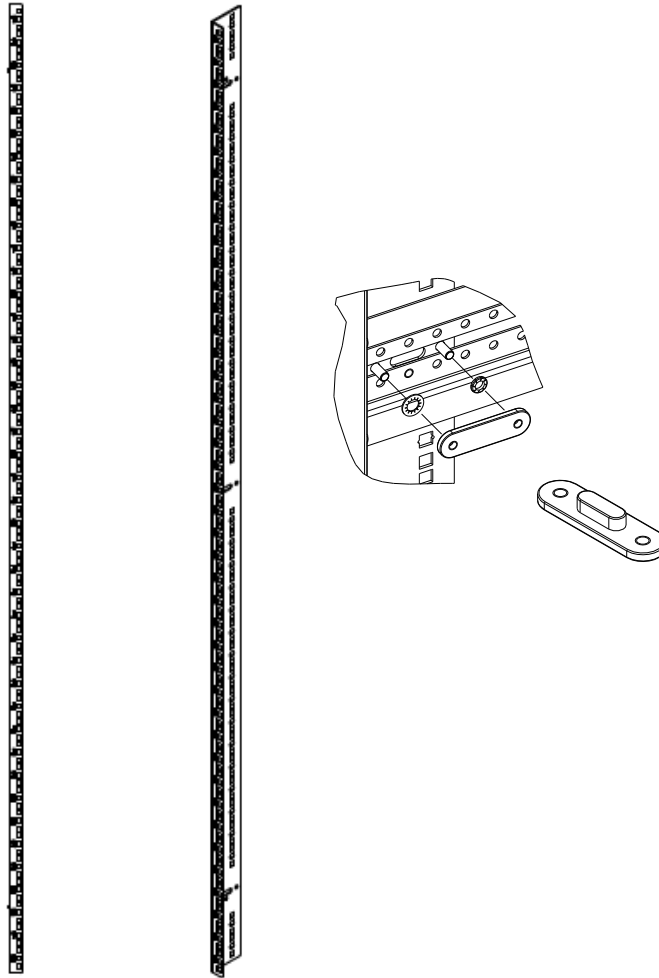


REF: ACJMARx42

19" rear mounting for Classic cabinet 42U width 600 or 800mm



Descriptions

- 19" rear mounting for Classic cabinet 42U 600mm or 800mm width
- Adjustable mounting by a sliding system
- Numbering of the U to allow an easy tracking
- Material : Zinc coating steel 20/10
- Screws and sliding system provided

Ordering information

Part number	Designation	Packaging
ACJMAR642	19" rear mounting for Classic cabinet 42U 600mm width	2 mounting
ACJMAR842	19" rear mounting for Classic cabinet 42U 800mm width	2 mounting