

ACCHAIRxx

Cabinet chair with adjustable height, for Technic and Essential cabinet range

+ AVANTAGES

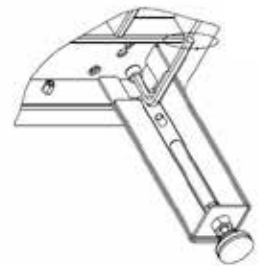
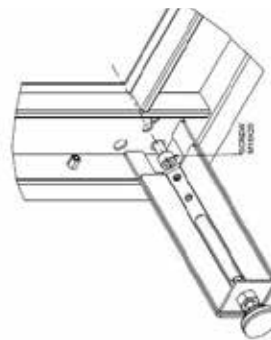
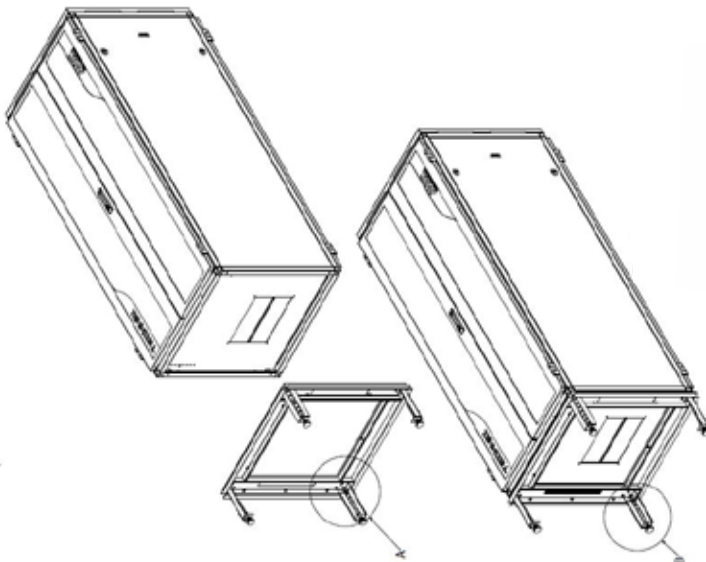
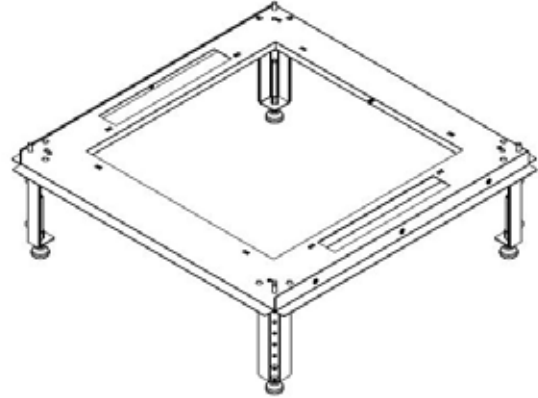
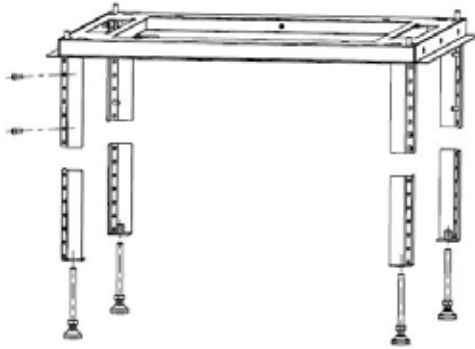
- Made for rooms with a technical floor
- Easy cabinet mounting thanks to pre-drilled open frame
- Two enhancement sizes possible: 16 to 28cm/ 28 to 52cm
- Anti-rust black paint

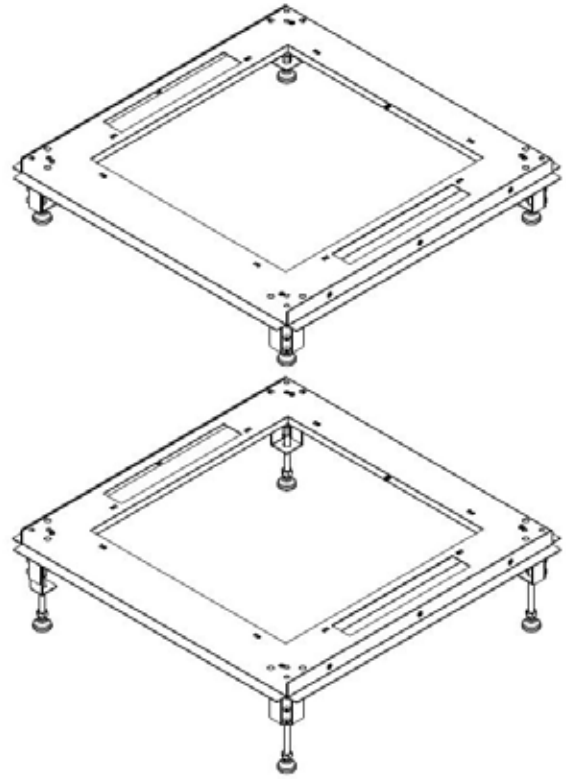
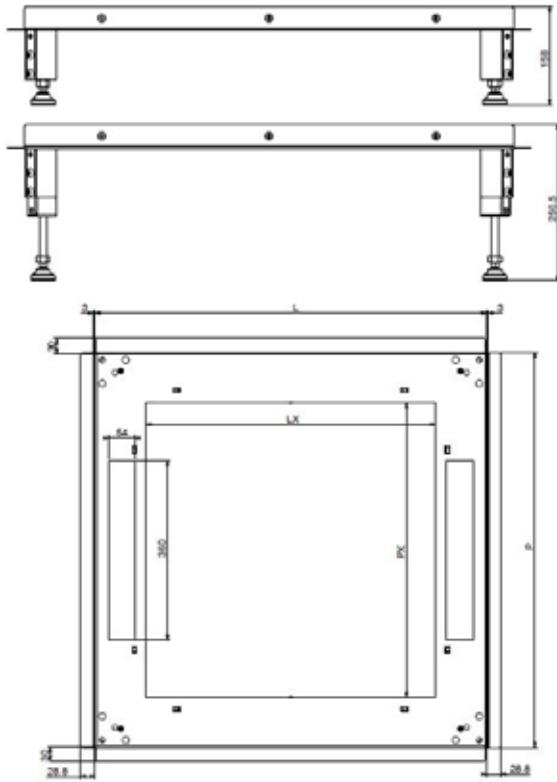


DESCRIPTION / APPLICATIONS

- Adjustable height of the cabinet frame for technical floors
- Black paint
- Removable angle brackets to put frames side by side in order to facilitate cabinet extension
- 4 pads provided

DRAWING & DIMENSIONS





PART NUMBER	SIZE OF THE CABINET (mm)	ADJUSTABLE HEIGHT OF THE CABINET CHAIR (mm)	WIDTH OF THE CABINET CHAIR (mm)	DEPTH OF THE CABINET CHAIR (mm)	LX (mm)	PX (mm)
ACCHAIR162866 *	600 x 600	158-280,5	590	590	384	390
ACCHAIR285266	600 x 600	278-520,5	590	590	384	390
ACCHAIR162868 *	600 x 800	158-280,5	590	790	384	590
ACCHAIR285268 *	600 x 800	278-520,5	590	790	384	590
ACCHAIR162888	800 x 800	158-280,5	590	990	384	790
ACCHAIR285288	800 x 800	278-520,5	590	990	384	790
ACCHAIR1628610 *	600 x 1000	158-280,5	790	790	584	590
ACCHAIR2852610 *	600 x 1000	278-520,5	790	790	584	590
ACCHAIR1628810 *	800 x 1000	158-280,5	790	990	584	590
ACCHAIR2852810 *	800 x 1000	278-520,5	790	990	584	590
ACCHAIR1628812 *	800 x 1200	158-280,5	790	1190	584	990
ACCHAIR2852812 *	800 x 1200	278-520,5	790	1190	584	990

* On demand