

P/N : ACBPH508

Reflex Horn Speaker 50W/100V - 8Ω



Description

The loudspeaker ACBPH508, new generation, combines the advantages of a horn loudspeaker and a 2-way speaker.

It's equipped with an ABS horn tweeter, UV resistant, with 2 loudspeakers, 13 cm bass driver and 2,5 cm dome tweeter.

It's ideal for installed sound reinforcement applications, such as industrial and outdoors sites, due to its intelligibility factor and high sound pressure level.

Technical Characteristics

Frequency response :	90 – 20000 Hz
Power handling – W rms (50W MAX) :	50W
SPL max. (1W/1M) dB :	99 dB
Dispersion angle :	100°/70° (1Khz)
Power tapes - W :	15W – 30W – 50W/100V - 8Ω
Power connection :	Terminal block
Speaker type :	Pressure chamber
Type of mounting :	Wall mounted
Operating temperature :	-20°C +50°C
Protection rating :	IP66
Material :	ABS
Dimensions - (L x H x P) :	363 x 253 x 310 mm
Weight– Kg :	3.90 Kg



P/N : ACBPH508

Reflex Horn Speaker 50W/100V - 8Ω

Installation diagram : use of loudspeakers in 100V line



Amplifier 5x96W-100V : P/N : **ACBAM480**



Wired in 30W

Yellow conductor (+ polarity)
Black conductor (- polarity)



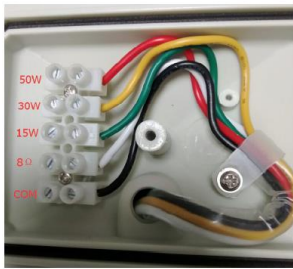
Wired in 15W

Green conductor (+ polarity)
Black conductor (- polarity)



Wired in 50W

Red conductor (+ polarity)
Black conductor (- polarity)



Terminal block located behind the rear side of the loudspeaker.

Schéma d'installation : utilisation des haut-parleurs en basse impédance 8 Ω

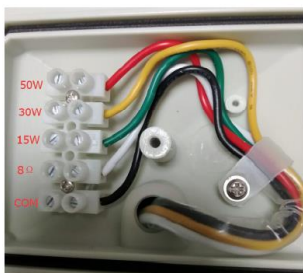


Amplifier 2x25W - 8Ω
P/N : **ACBAM225IP**

Speaker output in 8Ω



Connected to the loudspeaker terminal block – black conductor (- polarity)
Connected to the loudspeaker terminal block – white conductor (+ polarity)



Terminal block located behind the rear side of the loudspeaker.

P/N : ACBPH508

Reflex Horn Speaker 50W/100V - 8Ω

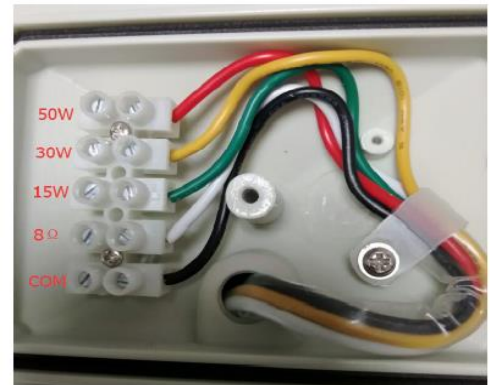
Wiring diagram

CONNECTING TERMINAL BLOCK 100V

POWER SELECTION / COLOUR	POWER
GREEN (+ polarity)	15W
YELLOW (+ polarity)	30W
RED (+ polarity)	50W
BLACK (- polarity)	COM

CONNECTING TERMINAL BLOCK 8Ω

POWER SELECTION / COLOUR	POWER
WHITE (+ polarity)	8 Ω
BLACK (- polarity)	COM



Safety tips

Application : these PA speaker are especially designed for application in PA systems operating with 100v and 8Ω techniques.

Important safety notes : the speaker correspond of the European standards :

- 89/366/CEE for electromagnetic directive.
- 73/23/CEE for low voltage directive



Electrical connections :

Warning : During operation there is a hazard of contact at the connection cable with a voltage of up to 100 V.

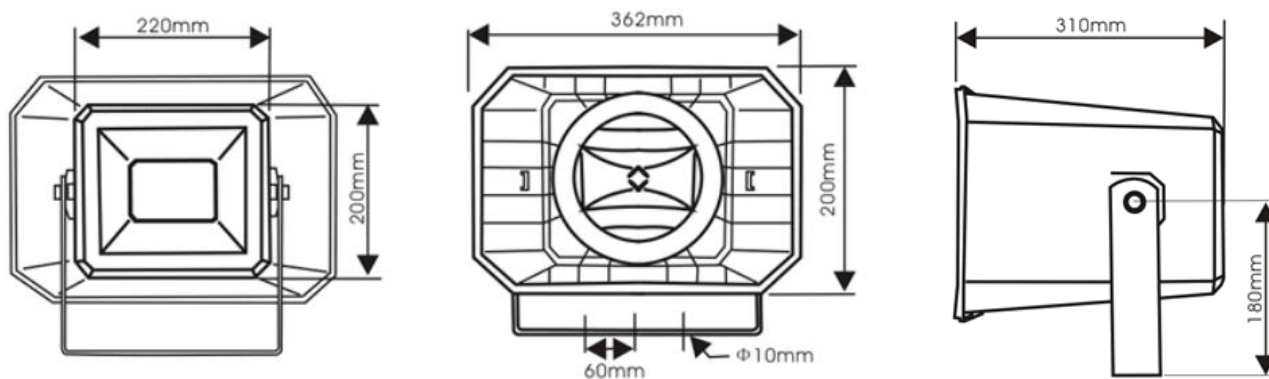
The installation must only be carried out by authorized personnel.

Insulate any case the cores of the connection cable which are not used.

Pay attention to the correct power matching.

In case of wrong matching, the PA amplifier will be destroyed.

Dimensional diagram



Ordering information

Part nb	Designation	Packaging
ACBPH508	Projecteur de son à pavillon longue portée	Unit