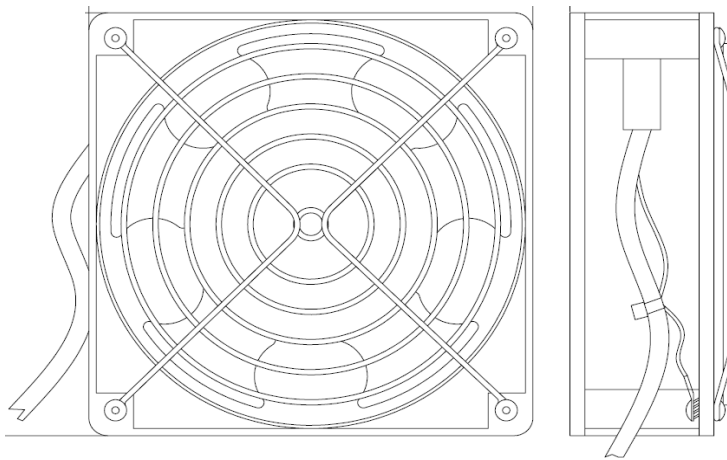


REF: ACB1V

Block of 1 fan unit for 19" wall mounted cabinet

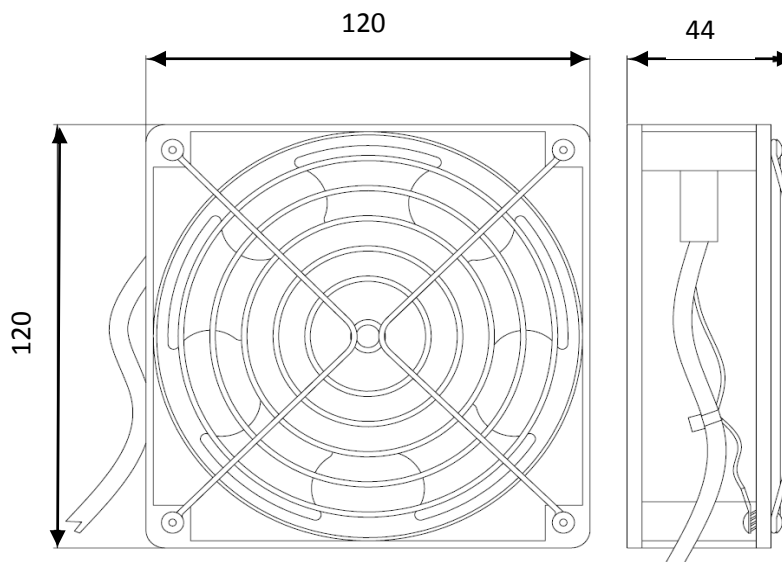


ACB1V

Descriptions

- Block of 1 fan unit for wall mounted cabinet
- Ventilation capacity : 150m³ / h per fan
- Noise level : ACB1V = 43dB
- Mounting inside with 4 hanging points
- Equipped with power cable (without plug) lenght 2m – 3x0.5mm²

Dimensions



Ordering information

| Part number | Designation | Packaging |
|--------------|---|-----------|
| ACB1V | Block 1 fan unit for wall mounted cabinet | Unit |