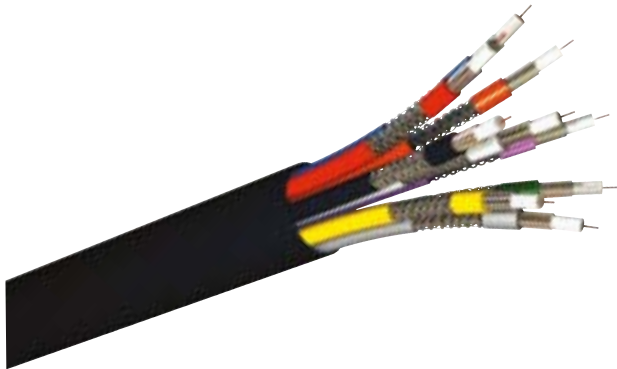




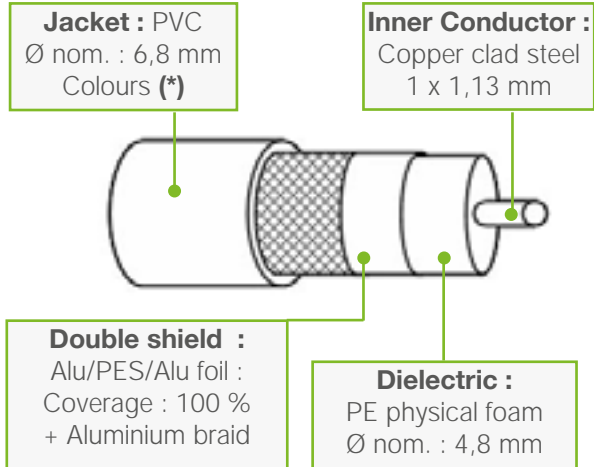
# 917VATCPHAN

Indoor/outdoor multicoaxial antenna cable: 9 x 17VATCPHA under outer PVC sheath

## Multicoax : 9 units



## Coaxial unit :



### (\*) colour code and marking on coaxial units:

Coaxial N°	1	2	3	4	5	6	7	8	9
colour	Black	Red	Green	Yellow	White	Grey	Orange	Pink	Blue
Marking	SAT A V/B	SAT A H/B	SAT A V/H	SAT A H/H	Terrestre	SAT B V/B	SAT B H/B	SAT B V/H	SAT B H/H

## APPLICATION

Indoor and outdoor multicoaxial cable, for distribution systems intended for sound signals of analogic and digital broadcasting and television, for frequencies from 5 to 3000 MHz.

## TECHNICAL SPECIFICATIONS

Outer sheath : Black PVC

Nominal external diameter : 26 mm

Marking on outer sheath : EN50117-5 917VatC/PHA 1,13/4,8 Class A 3GHz In/Out N°lot + métric

Installation temperature : min 0°C

Minimum bending radius : 8 x Øext

## STANDARDS

Conformable to directive RoHS

Conform EN 50575 : 2014 + A1 : 2016 Class : Eca



## 917VATCPHAN

Indoor/outdoor multicoaxial antenna cable: 9 x 17VATCPHA under outer PVC sheath

### ELECTRICAL PROPERTIES

<b>Impedance</b>	75 $\Omega$		
<b>Capacitance</b>	52 pF/m		
<b>Electrical resistance at 20°C</b>	Inner conductor 96 $\Omega$ /km - Outer conductor 44 $\Omega$ /km		
<b>Propagation speed</b>	84 %c		
<b>Attenuation at 20°C (dB/100 m) :</b>			
5 MHz	1.3	862 MHz	17.7
50 MHz	3.7	950 MHz	18.7
100 MHz	5.6	1 350 MHz	23.0
200 MHz	8.1	1 750 MHz	26.9
400 MHz	11.7	2 150 MHz	30.4
800 MHz	17.0	3 000 MHz	37.2
<b>Screening efficiency</b>	> 85 dB (Class A)		

### ORDERING INFORMATION

PART NUMBER	DESCRIPTION	EXTERNAL DIAM	PACKING
917VATCPHAN	Multicoaxial antenna cable: 9 coax Outer sheath : Black PVC	26 mm	100 meters drum